

TILE PEDESTALS

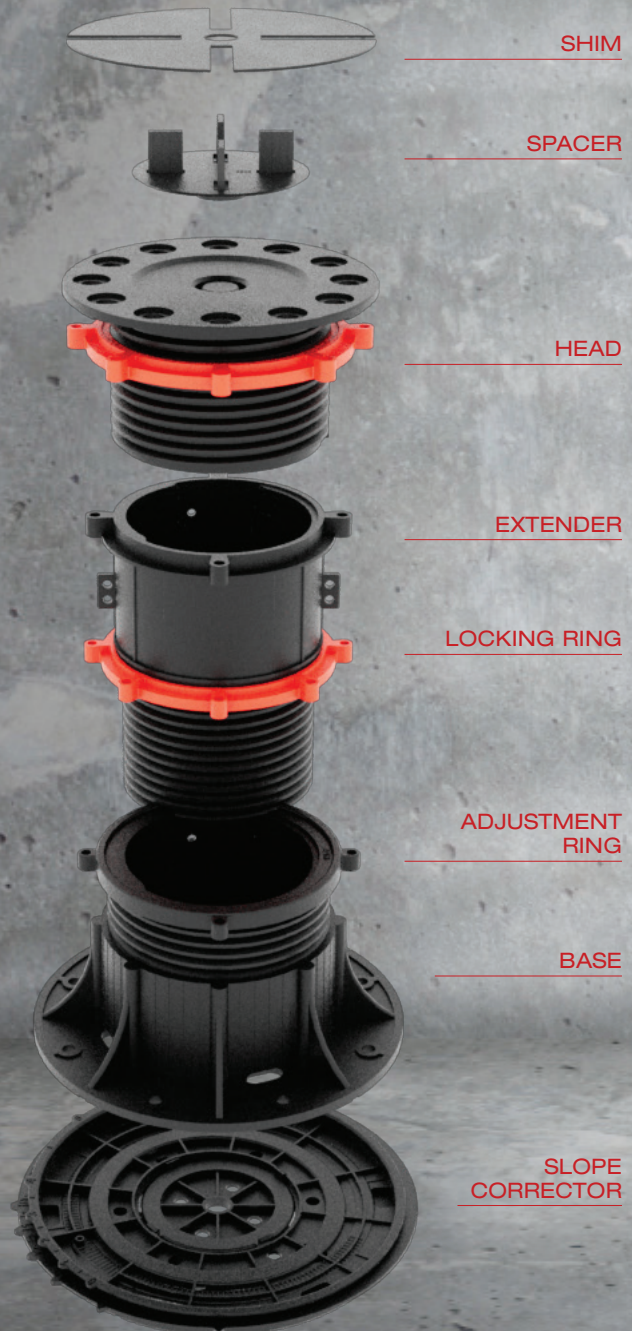


DTA BOSS TILE PEDESTALS

BOSS Pedestals are the versatile solution for raised tile and paver installations. Pedestals allow surface drainage across your installation, while allowing quick and easy access to concealed services and waterproofing membranes. Pedestals also provide improved heat and sound insulation.

Advantages of DTA BOSS Tile Pedestals

- Easy to install and light weight
- Progressive height increment
- Locking rings ensure rigid assembly
- High compressive strength material: Polypropylene (PP)
- Easily removed and re-used
- Easy access to concealed services and waterproofing membranes
- Waterproofing membranes not penetrated
- Allows air ventilation and increased heat insulation
- Elimination of efflorescence
- A cost effective alternative to concrete piers
- Minimises sound transmission
- Recyclable



PEDESTAL SIZES



28-42MM

- Code: BP042
- 30 pcs per box



60-105MM

- Code: BP105
- 30 pcs per box



40-65MM

- Code: BP065
- 30 pcs per box



90-180MM

- Code: BP180
- 30 pcs per box



150MM EXTENDER

- Code: BPE150
- 30 pcs per box

PEDESTAL BASE CONFIGURATION

Cut the base along the included guidelines to install the pedestal in corners or on edges.



Cut one side

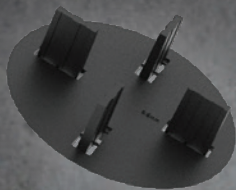


Cut two sides



Cut three sides

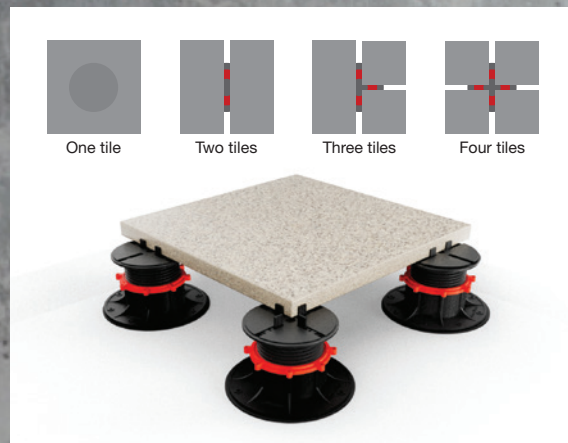
PEDESTAL ACCESSORIES



SPACER TAB

- Provides consistent spacing between tiles
- Code: BPS035 (3.5mm spacer)
Code: BPS050 (5mm spacer)
- 180 pcs per box

Spacer tab configuration



WINDCLIP

- Reduces tile uplift
- Code: BPWC
- 10 sets per pack (1 set incl 4 pads with screw and washer)



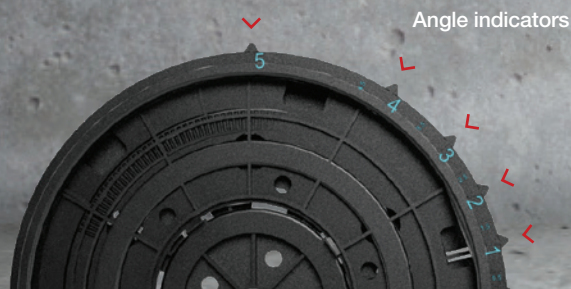
RUBBER SHIM

- Tile packer and noise reduction for undertile
- Code: BPRS01
- 1mm thick
- 180 pcs per box



ADJUSTABLE SLOPE CORRECTOR

- Rotating upper disc to compensate from 0 > 5% angle adjustment (0 > 2.86 Degree or 1:20)
- Code: BPSC
- 30pcs per box



Rotate to adjust angle

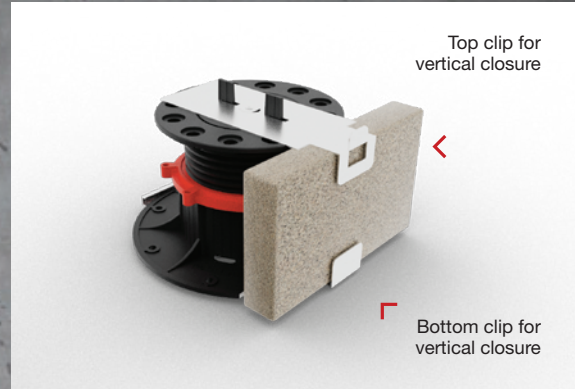


PEDESTAL ACCESSORIES



VERTICAL CLOSURES

- Installed on stair risers and deck ends to enclose platform
- Top and Bottom Clip for vertical closure
- Code: BPVGT (Top)
Code: BPVCB (Bottom)



Top clip for vertical closure

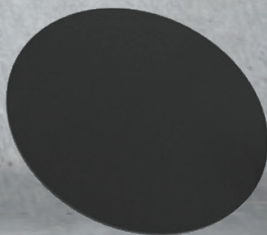
Bottom clip for vertical closure

** Base Rubber Pads are recommended for use with vertical closure clips.*



PERIMETER SPACER

- Provides a 15mm gap between wall and tile
- Code: BPWS
- 200 pcs per box



RUBBER BASE PAD

- Protects waterproofing membrane and reduces noise
- Code: BPRB
- 3mm thick
- 180 pcs per box



PEDESTAL WINDCLIP INSTALLATION

WINDCLIPS

- Reduces tile uplift by providing a textured surface to bond tiles to the pedestal
- Code: BPWC
- 10 sets per pack (1 set incl 4 pads with screw and washer)



Installation

1. Snap the windclip onto the pedestal head to lock in place.
2. Secure windclip in place with screw and washer.
3. Apply ARDEX CA20P adhesive to top of the windclips.
4. Place tile on top to complete the installation.



PEDESTAL CALCULATOR

FOR EDGE SUPPORT ONLY

- 300 x 600 tile – 8 Per sq. mtr.
- 400 x 400 tile – 9 Per sq. mtr.
- 600 x 600 tile – 4 Per sq. mtr.



WITH CENTRE SUPPORT

- 300 x 600 tile – 13 Per sq. mtr.
- 600 x 600 tile – 7 Per sq. mtr.



Calculations are to be used as a guide only. Above sq. mtr. calculations are based on an area of 3mtrs x 3mtrs.
For a more accurate estimate please contact DTA Australia to discuss your project requirements.
DTA Australia recommends seeking advice from your tile manufacturer to ensure the selected tile is suitable for use in your application and if a centre support will be required.

LOAD TESTING

DTA BOSS Tile Pedestals provide height adjustment from 28mm – 1100mm



Entire



Half



Quarter

Height Range (mm)	Max Loading (kg)			Breaking Loading (kg)		
	Entire	Half	Quarter	Entire	Half	Quarter
28-42	955	820	683	1250	1060	965
40-65	975	765	652	1325	1136	925
65-105	925	735	698	1386	1298	970
90-180	920	730	690	1356	1150	968
185-320	926	760	685	1365	1159	965
250-370	915	726	650	1265	1120	925
370-650	926	739	625	1290	1129	920
500-760	915	725	630	1285	1090	915
600-930	925	719	626	1129	1125	890
750-1100	910	725	652	1025	1100	860



DTA BOSS TILE PEDESTAL APPLICATIONS



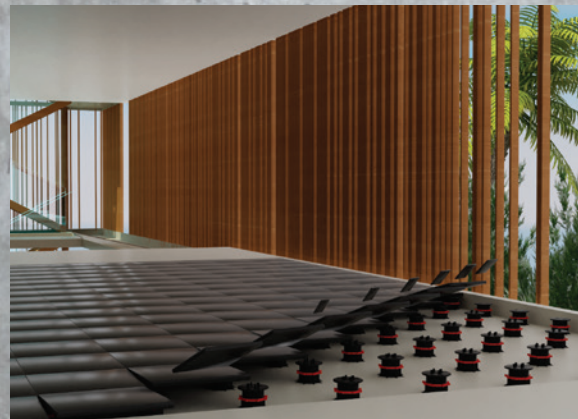
Pool surrounds



Balconies



Decks



Foyers



SCAN THE
QR CODE TO
VIEW OUR
INSTALLATION
VIDEO



DTA Australia Pty Ltd

6 Ashley Park Drive,
Chelsea Heights, Victoria,
Australia, 3196

Email: sales@dt-aus.com.au
Phone: 1800 505 045

Website: www.dta-aus.com.au

DTA New Zealand Limited

2/27 Cain Road,
Penrose, Auckland,
New Zealand, 1061

Email: sales@dtanz.co.nz
Phone: +64 9 525 0321

Website: www.dtanz.co.nz