



www.dtaigroup.com
The Choice of Professionals



Architectural Trims

Catalogue Edition 7

AUSTRALIA

Head Office - VICTORIA

ABN 26 007 291 054

P 1800 505 045

E sales@dta-aus.com.au

P.O. Box 318, Patterson Lakes 3197

6 Ashley Park Drive, Chelsea Heights 3196



NEW SOUTH WALES

P 1800 505 045

E sales@dta-aus.com.au

Unit 1/56-58 Jemma Rd, Prestons 2170

WESTERN AUSTRALIA

P 1800 505 045

E dtawa@dta-aus.com.au

Unit 2/12 Horus Bend, Bibra Lake, 6163

QUEENSLAND

P 1800 505 045

E dtaqld@dta-aus.com.au

7 Hinkler Court, Brendale 4500

SOUTH AUSTRALIA

P 1800 505 045

E sales@dta-aus.com.au

NEW ZEALAND

P 09 525 0321

E sales@dtanz.co.nz

2/27 Cain Rd Penrose, Auckland, 1061

USA

P +1 925 371 7101

E sales@dtausagroup.com

6764 Preston Ave, Suite B Livermore CA USA 94551

DTA reserve the right to change product specifications without notice. Products may vary from pictures shown.
Colours shown are as close as possible to actual colours.



The Choice of Professionals



The Choice of Professionals

Trims are an essential element in delivering a professionally finished project, and at DTA, our trims are of recognised industry standard. DTA ensure they maintain the highest quality product standards. DTA's market leadership is the result of a quality product range, developed through consultation with local and international trades. Through extensive research in both European and Asian markets, DTA are able to offer a range of trims that will satisfy the most demanding of customer applications. While most DTA trims will be available from retailers or from the DTA state warehouses, specialised profiles can be supplied with a phone call to a DTA state office.

TRIM SELECTION

5

EDGE TRIM

6

PVC Round Edge Trim - 2.5metre	7
Aluminium Round Edge Trim	8
Brass Round Edge Trim - 2.5metre	9
Y Aluminium Angle Trim - 3metre	9
Aluminium Square Edge Trim	10
Aluminium Square Edge - 3metre	11
PVC Square Edge Trim - 2.5metre	12
Aluminium Contempo Edge Trim	13
Aluminium L-Shape Trim	14
Retro Fit L-Shape	15
Unperforated Aluminium L-Shape Angle - 4metre	15
Formable L-Shape Angle - 3metre	16
Brass L-Shape Trim	17
Stainless Steel Round Edge Trim - 3metre	18
Stainless Steel L-Shape Trim - 3metre	19
Stainless Steel Square Edge Trim - 3metre	20

TRANSITION TRIM

21

Aluminium Flat Listello Trim	22
Aluminium Retro Fit Transition Trim	23
Aluminium Step Edge Trim	23
Aluminium Transition Edge Trim	24
Aluminium Transition Ramp	25
25mm Gecko Grip Tape	25
Aluminium Dividing Trim - 2.5metre	26

COMMERCIAL TRIM

27

PVC Movement Joints - 2.5metre	28
Neostrip Expansion Joint	29
Neoprene Aluminium Movement Joints - 3metre	30
Polyurethane Aluminium Movement Joints - 3metre	31
Polyurethane Brass Movement Joints - 3metre	32

Polyurethane Stainless Steel Movement Joints – 3metre	33
Neoprene Stainless Steel Movement Joints – 3metre	34
Aluminium All Purpose Cove Trim – 3.6metre	35
Aluminium Cove Trim – 3.6metre	36
Aluminium Cove Trim Corners	37
Balcony Trim and Corners	38
Balcony Trim with Weep Holes - 3metre	39
Retro Balcony Trim - 3metre	40
Light Balcony Trim – 3metre	40

STAIR EDGE TRIM 41

Aluminium Stair Nosing	42
Aluminium Stair Nosing Long Riser	42
Aluminium Tread Plate	43
50mm Gecko Grip Tape	43
All Weather Stair Nose	44
Aluminium Illuminated Stair Tread	44
Commercial Aluminium Stair Tread	45
Commercial Aluminium Stair Tread With Illumination	45
Light Bullnose Trim	46
Stair Edge Trim	46

MERCHANDISING 47

TRIM SELECTION



STAINLESS STEEL
Grade 304 and 316L (Marine Grade)
Ideal for coastal areas



Highly recommended for public and high traffic areas due to mechanical strength and chemical resistance. It is used in many architectural and technical applications.



ALUMINIUM
Grade 6063T5 (Plain & Anodised)

Aluminium has a wide variety of applications and is sought after for its range of profiles and complex shapes. Aluminium is also lightweight, ductile and easy to cut and use. DTA offer many variants of finish, including bright and matt colour anodising.



BRASS
Grade C380

Brass is an elegant material and is highly regarded by architects and interior designers. It is best suited to indoor application and has a warm gold colour.



PVC
UV Stabilised

A remarkably versatile material that has wide ranging applications in many building projects because of its corrosion resistance. Available in many designer colours. It is economical and easy to use. Not recommended for external use.



POLYURETHANE

Polyurethane is a flexible product which provides greater movement than neoprene. When a floor expands there is enough movement in the expansion trim to give relief to the tiles and in return will not cause the tiles to crack or lift. Polyurethane will retain the structural integrity and appearance for a longer life cycle in retention and appearance. It conforms with Australian Standard AS3958.



NEOPRENE

Neoprene is a form of synthetic rubber that exhibits good chemical stability and maintains flexibility over a wide temperature range. Neoprene expansion joints allow for tiles to expand and contract in all weather conditions with the Neoprene's flexibility preventing cracking.

HANDY HINT

Always remove excess grout immediately after grouting to avoid discolouration.

EDGE TRIM

DTA Finishing Edge Trims are designed to provide edge protection where tiles are bordered by carpet or timber, or as a decorative edging.

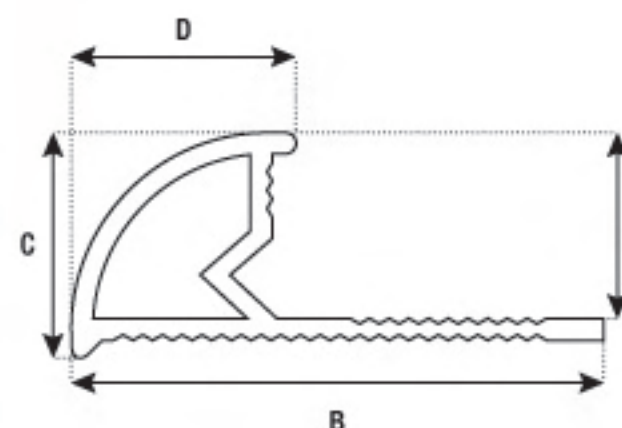
The DTA Finishing Trims range adds a contemporary look, while still providing maximum tile protection.

Finish Edge Trims are available in PVC, Aluminium, Brass and Stainless Steel finishes.

PVC Round Edge Trim – 2.5metre



- PVC round edge trim
- Professional looking quadrant finish
- Highest grade PVCU construction
- Use with all tile types



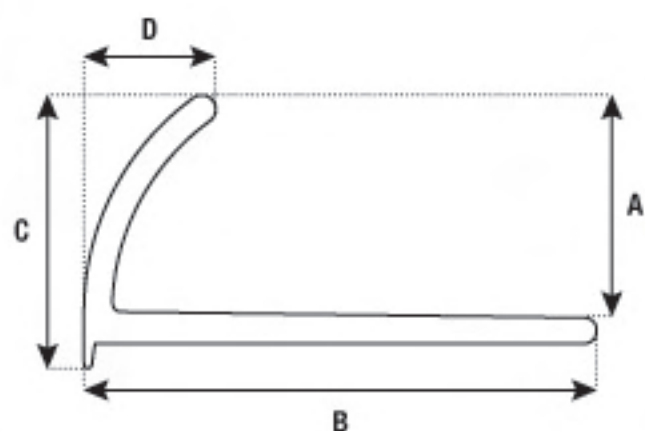
Size A	B	C	D
6mm	22mm	8mm	8mm
8mm	23mm	11mm	10mm
10mm	27mm	12mm	11mm
12mm	31mm	15mm	9mm

CHEMICAL CONTENT								
STANDARD	LEAD (%)	CADMIUM (%)	ARSENIC (%)	ANTIMONY (%)	BARIUM (%)	MERCURY (%)	SELENIUM (%)	CHROMIUM (%)
AS15	0.0	1.0	1.0	1.0	5.0	1.0	1.0	1.0
MECHANICAL PROPERTY								
STANDARD	Tensile Strength (Minimum (N/mm ²))				Elongation (%)			
AS15	508.0				127			

Colour	6mm		8mm		10mm		12mm	
	Code	Pk Qty	Code	Pk Qty	Code	Pk Qty	Code	Pk Qty
White	TT625W	100	TT825W	100	TT1025W	80	TT1225W	80
Ivory	TT625IY	100	TT825IY	100	TT1025IY	80	TT1225IY	80
Vanilla	TT625V	100	TT825V	100				
Beige	TT625BE	100	TT825BE	100	TT1025BE	80		
Grey	TT625GY	100	TT825GY	100	TT1025GY	80		
Black	TT625BK	100	TT825BK	100	TT1025BK	80	TT1225BK	80
Travertine	TT625T	100	TT825T	100	TT1025T	80	TT1225T	80
Havana	TT625H	100	TT825H	100	TT1025H	80		
Jasmine	TT625J	100	TT825J	100	TT1025J	80	TT1225J	80
Mocha	TT625M	100	TT825M	100	TT1025M	80	TT1225M	80
Alabaster	TT625JA	100	TT825JA	100	TT1025JA	80	TT1225JA	80
Ultra White	TT625JUW	100	TT825JUW	100	TT1025JUW	80	TT1225JUW	80
J/Vanilla	TT625JV	100	TT825JV	100	TT1025JV	80	TT1225JV	80
J/White	TT625JW	100	TT825JW	100	TT1025JW	80	TT1225JW	80

Aluminium Round Edge Trim

- Semi-quadrant finish for tile edge protection
- Designed for wall and external corner applications
- Creates an elegant look
- Available in a large range of anodised and powder coated colours
(Customised colours available on request)



Size A	B	C	D
6mm	22mm	8.5mm	4.2mm
8mm	22mm	10.5mm	6.2mm
10mm	23mm	12.5mm	6.2mm
12mm	23mm	15mm	6.0mm

ALLOY: 6063 TEMPER: T5										
CHEMICAL CONTENT										
STANDARD	SILICONE (%)	IRON (%)	COPPER (%)	MANGANESE (%)	MAGNESIUM (%)	CHROMIUM (%)	ZINC (%)	TITANIUM (%)	OTHER (each 0.05%) (%)	ALUMINIUM (%)
(DIN/BS EN 573-3:1994) (DIN/BS EN 755-2:1997)	0.20-0.90	0.35	0.1	0.1	0.45-0.90	0.1	0.1	0.1	0.15	Rem.
MECHANICAL PROPERTY										
STANDARD	DIMENSION (mm)	0.2% Proof Stress minimum (N/mm ²)	Tensile Strength minimum (N/mm ²)	Elongation (%)	Elongation on 50mm (%)					
(DIN/BS EN 573-3:1994) (DIN/BS EN 755-2:1997)	<-3	130	175	8	8					
	3<-c<-25	110	160	7	5					

1 metre

Colour	6mm Code	8mm Code	10mm Code	12mm Code	Pk Qty
Matt Silver		ARE1.08MS	ARE1.10MS	ARE1.12MS	20
Bright Silver		ARE1.08BS	ARE1.10BS	ARE1.12BS	20

3 metre

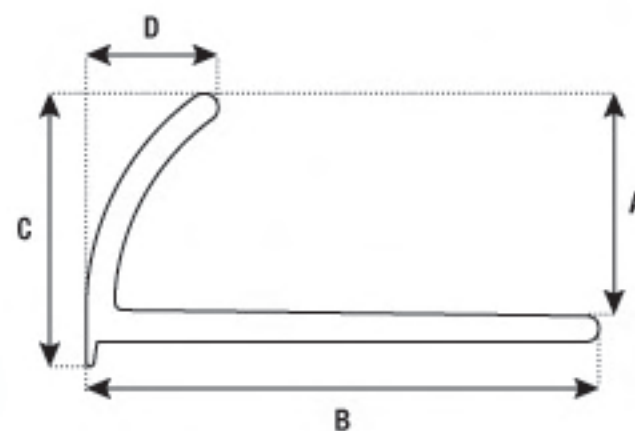
Colour	6mm Code	8mm Code	10mm Code	12mm Code	Pk Qty
Matt Silver	ARE3.06MS	ARE3.08MS	ARE3.10MS	ARE3.12MS	20
Brush Finish		ARE3.08BFS	ARE3.10BFS	ARE3.12BFS	20
Bright Silver	ARE3.06BS	ARE3.08BS	ARE3.10BS	ARE3.12BS	20
Bright Gold	ARE3.06BG		ARE3.10BG	ARE3.12BG	20
Black	ARE3.06BK	ARE3.08BK	ARE3.10BK	ARE3.12BK	20
White	ARE3.06W	ARE3.08W	ARE3.10W	ARE3.12W	20

Round Edge Corners

Colour	6mm Code	8mm Code	10mm Code	12mm Code	Pk Qty
Matt Silver	AREC06MS	AREC08MS	AREC10MS	AREC12MS	10
Brush Finish		AREC08BFS	AREC10BFS	AREC12BFS	10
Bright Silver	AREC06BS	AREC08BS	AREC10BS	AREC12BS	10

Brass Round Edge Trim - 2.5metre

- Semi-quadrant finish for tile edge protection
- Designed for wall and external corner applications
- Creates an elegant look



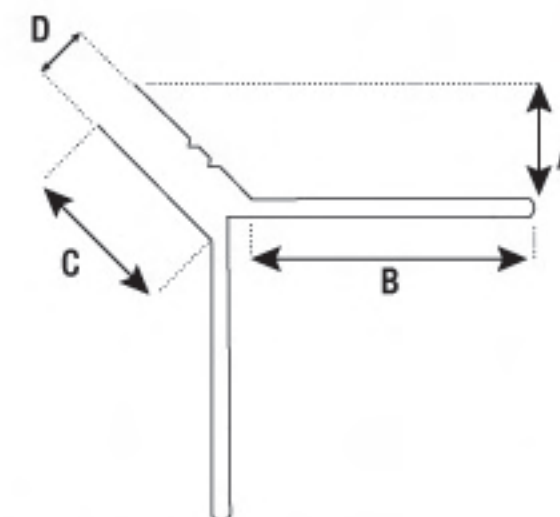
Size A	B	C	D
10mm	23mm	11.5mm	7.5mm

ALLOY: 360								
CHEMICAL CONTENT								
STANDARD	COPPER (%)	IRON (%)	LEAD (%)	MANGANESE (%)	TIN (%)	NICKEL (%)	ALUMINIUM (%)	ZINC (%)
AS1567	57.2	0.3	2.17	0.01	0.39	0.19	0.45	Rem.
MECHANICAL PROPERTY								
STANDARD	Tensile Strength minimum (N/mm ²)				Elongation (%)			
AS1567	64.38				12			

Colour	10mm Code	Pk Qty
Brass	PABRE25.10	20

Y Aluminium Angle Trim - 3metre

- Protects the edge of tiles on external corners
- Available in 8mm, 10mm and 12mm
- Tiles must be mitred to sit flush against Y trim



Size A	B	C	D
8.3mm	20mm	11.74mm	4mm
10.3mm	20mm	14.59mm	4mm
12.3mm	20mm	17.39mm	4mm

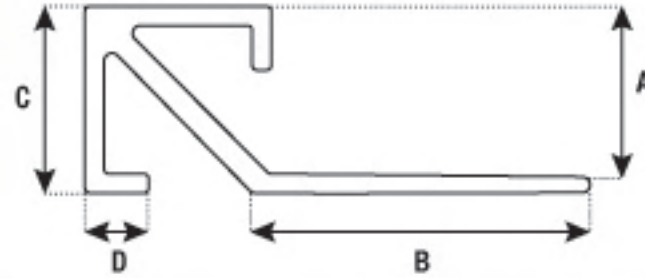
ALLOY: 6063 TEMPER: T5										
CHEMICAL CONTENT										
STANDARD	SILICONE (%)	IRON (%)	COPPER (%)	MANGANESE (%)	MAGNESIUM (%)	CHROMIUM (%)	ZINC (%)	TITANIUM (%)	OTHER (each 0.05%) (%)	ALUMINIUM (%)
(DIN/BS EN 573-3:1994) (DIN/BS EN 755-2:1997)	0.20-0.60	0.35	0.1	0.1	0.45-0.90	0.1	0.1	0.1	0.15	Rem.
MECHANICAL PROPERTY										
STANDARD	DIMENSION (mm)	0.2% Proof Stress minimum (N/mm ²)	Tensile Strength minimum (N/mm ²)	Elongation (%)	Elongation on 50mm (%)					
(DIN/BS EN 573-3:1994) (DIN/BS EN 755-2:1997)	<-3	130	175	8	8					
	3<-c<-25	110	160	7	5					

Colour	8mm Code	10mm Code	12mm Code	Pk Qty
Matt Silver	ALAY3.08MS	ALAY3.10MS	ALAY3.12MS	20

Aluminium Square Edge Trim

DIY TRADE

- Square finish trim for tile protection
- Decorative trim to create an elegant look
- Ideal for: external corners both vertical and horizontal, transition between carpet and tile and finishing trim on a vertical wall
- Available in a range of anodised or powder coated colours



Size A	B	C	D
6.5mm	27mm	7.7mm	3mm
8.5mm	29mm	9.7mm	3mm
10.5mm	31mm	11.7mm	3mm
12.5mm	33mm	13.7mm	3mm
16mm	33mm	17.2mm	3mm



ALLOY: 6063 TEMPER: T5

CHEMICAL CONTENT										
STANDARD	SILICONE (%)	IRON (%)	COPPER (%)	MANGANESE (%)	MAGNESIUM (%)	CHROMIUM (%)	ZINC (%)	TITANIUM (%)	OTHER (each 0.05%) (%)	ALUMINIUM (%)
(DIN/ISO EN 573-3:1994) (DIN/ISO EN 755-2:1997)	0.20-0.90	0.35	0.1	0.1	0.45-0.90	0.1	0.1	0.1	0.15	Rem
MECHANICAL PROPERTY										
STANDARD	DIMENSION (mm)	0.2% Proof Stress minimum (N/mm ²)	Tensile Strength minimum (N/mm ²)	Elongation (%)	Elongation on 50mm (%)					
(DIN/ISO EN 573-3:1994) (DIN/ISO EN 755-2:1997)	<=3	130	175	8	6					
	3<D<=25	110	160	7	5					

1 Metre

Colour	6.5mm Code	8.5mm Code	10.5mm Code	12.5mm Code	Pk Qty
Matt Silver		ASQE1.08MS	ASQE1.10MS	ASQE1.12MS	20
Brush Finish	ASQE1.06BFS	ASQE1.08BFS	ASQE1.10BFS	ASQE1.12BFS	20
Bright Silver	ASQE1.06BS	ASQE1.08BS	ASQE1.10BS	ASQE1.12BS	20

3metre

Colour	6.5mm Code	8.5mm Code	10.5mm Code	12.5mm Code	16mm Code	Pk Qty
Matt Silver	ASQE3.06MS	ASQE3.08MS	ASQE3.10MS	ASQE3.12MS	ASQE3.16MS	20
Brush Finish	ASQE3.06BFS	ASQE3.08BFS	ASQE3.10BFS	ASQE3.12BFS	ASQE3.16BFS	20
Bright Silver	ASQE3.06BS	ASQE3.08BS	ASQE3.10BS	ASQE3.12BS	ASQE3.16BS	20
Bright Gold	ASQE3.06BG	ASQE3.08BG	ASQE3.10BG	ASQE3.12BG		20
Black	ASQE3.06BK	ASQE3.08BK	ASQE3.10BK	ASQE3.12BK	ASQE3.16BK	20
White	ASQE3.06W	ASQE3.08W	ASQE3.10W	ASQE3.12W		20
Brush Black		ASQE3.08BFBK	ASQE3.10BFBK	ASQE3.12BFBK		20
Matt Black	ASQE3.06MBL	ASQE3.08MBL	ASQE3.10MBL	ASQE3.12MBL	ASQE3.16MBL	20

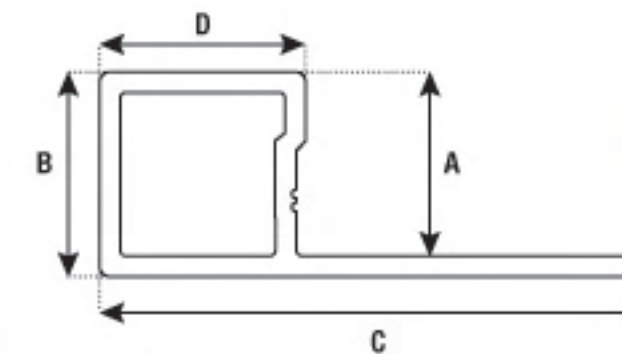
Square Edge Corners

Colour	6.5mm Code	8.5mm Code	10.5mm Code	12.5mm Code	Pk Qty
Matt Silver	ASQEC06MS	ASQEC08MS	ASQEC10MS	ASQEC12MS	10
Brush Finish	ASQEC06BFS	ASQEC08BFS	ASQEC10BFS	ASQEC12BFS	10
Bright Silver	ASQEC06BS	ASQEC08BS	ASQEC10BS	ASQEC12BS	10
White	ASQEC06W	ASQEC08W	ASQEC10W	ASQEC12W	10

Aluminium Square Edge - 3metre

DIY TRADE

- Square finish trim for tile protection
- Decorative trim to create an elegant look
- Ideal for: external corners both vertical and horizontal, transition between carpet and tile and finishing trim on a vertical wall
- Available in a range of anodised or powder coated colours



Size A	B	C
6.5mm	7.7mm	27.7mm
8.5mm	9.7mm	29.7mm
10.5mm	11.7mm	31.7mm
12.5mm	13.7mm	33.7mm

ALLOY: 6063 TEMPER: T5

CHEMICAL CONTENT										
STANDARD	SILICONE (%)	IRON (%)	COPPER (%)	MANGANESE (%)	MAGNESIUM (%)	CHROMIUM (%)	ZINC (%)	TITANIUM (%)	OTHER (each 0.05%) (%)	ALUMINIUM (%)
(DIN/ISO EN 573-3:1994) (DIN/ISO EN 755-2:1997)	0.20-0.90	0.35	0.1	0.1	0.45-0.90	0.1	0.1	0.1	0.15	Rem
MECHANICAL PROPERTY										
STANDARD	DIMENSION (mm)	0.2% Proof Stress minimum (N/mm ²)	Tensile Strength minimum (N/mm ²)	Elongation (%)	Elongation on 50mm (%)					
(DIN/ISO EN 573-3:1994) (DIN/ISO EN 755-2:1997)	<=3	130	175	8	6					
	3<D<=25	110	160	7	5					

3metre

Colour	6.5mm Code	8.5mm Code	10.5mm Code	12.5mm Code	Pk Qty
Matt Silver	ASQS3.06MS	ASQS3.08MS	ASQS3.10MS	ASQS3.12MS	20
Brush Finish	ASQS3.06BFS	ASQS3.08BFS	ASQS3.10BFS	ASQS3.12BFS	20
Bright Silver	ASQS3.06BS	ASQS3.08BS	ASQS3.10BS	ASQS3.12BS	20
White	ASQS3.06W	ASQS3.08W	ASQS3.10W	ASQS3.12W	20

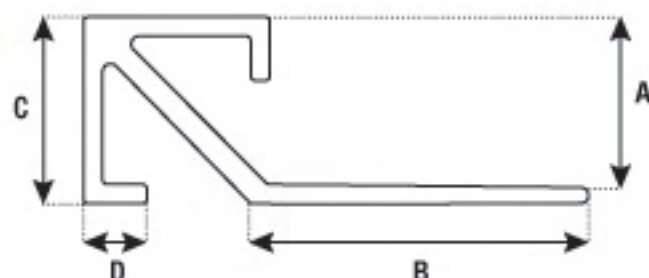
Square Edge Corners

Colour	6.5mm Code	8.5mm Code	10.5mm Code	12.5mm Code	Pk Qty
Matt Silver	ASQEC06MS	ASQEC08MS	ASQEC10MS	ASQEC12MS	10
Brush Finish	ASQEC06BFS	ASQEC08BFS	ASQEC10BFS	ASQEC12BFS	10
Bright Silver	ASQEC06BS	ASQEC08BS	ASQEC10BS	ASQEC12BS	10
White	ASQEC06W	ASQEC08W	ASQEC10W	ASQEC12W	10

PVC Square Edge Trim - 2.5metre

DIY TRADE

- Square finish trim for tile protection
- Decorative trim to create an elegant look
- Ideal for: external corners both vertical and horizontal, transition between carpet and tile and finishing trim on a vertical wall



Size A	B	C	D
6.5mm	27mm	7.7mm	3mm
8.5mm	29mm	9.7mm	3mm
10.5mm	31mm	11.7mm	3mm

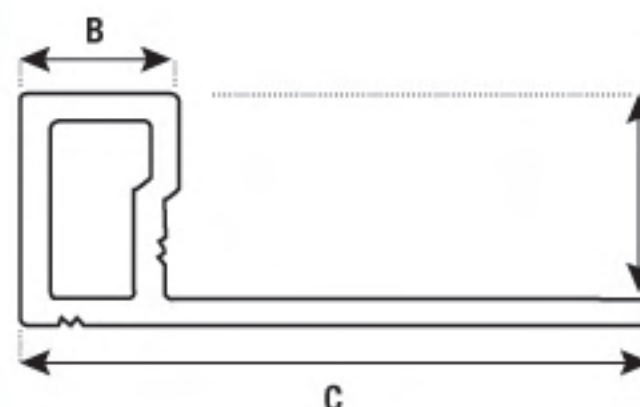
CHEMICAL CONTENT										
STANDARD	LEAD (%)	CADMIUM (%)	ARSENIC (%)	ANTIMONY (%)	BARIUM (%)	MERCURY (%)	SELENIUM (%)	CHROMIUM (%)		
AS15	5.0	1.0	1.0	1.0	5.0	1.0	1.0	1.0		
MECHANICAL PROPERTY										
STANDARD	Tensile Strength minimum (N/mm ²)				Elongation (%)					
AS15	106.6				127					

Colour	6.5mm Code	8.5mm Code	10.5mm Code	Pk Qty
White	TSQ625W	TSQ825W	TSQ1025W	20
Jasmine	TSQ625J	TSQ825J	TSQ1025J	20
Vanilla	TSQ625V	TSQ825V	TSQ1025V	20

Aluminium Contempo Edge Trim

DIY TRADE

- Ideal for: external corners both vertical and horizontal, transition between carpet and tile and finishing trim on a vertical wall
- Decorative trim to create an elegant look
- Available in a range of anodised or powder coated colours



Size A	B	C
8.5mm	6.5mm	26.5mm
10.5mm	6.5mm	26.5mm
12.5mm	6.5mm	26.5mm

CHEMICAL CONTENT										
STANDARD	SILICONE (%)	IRON (%)	COPPER (%)	MANGANESE (%)	MAGNESIUM (%)	CHROMIUM (%)	ZINC (%)	TITANIUM (%)	OTHER (each 0.00%) (%)	ALUMINIUM (%)
(DIN/ISO EN 573-3:1994) (DIN/ISO EN 755-2:1997)	0.20-0.80	0.35	0.1	0.1	0.45-0.90	0.1	0.1	0.1	0.15	Rem
MECHANICAL PROPERTY										
STANDARD	DIMENSION (mm)	0.2% Proof Stress minimum (N/mm ²)	Tensile Strength minimum (N/mm ²)	Elongation (%)	Elongation on 90mm (%)					
(DIN/ISO EN 573-3:1994) (DIN/ISO EN 755-2:1997)	≤ 3 3-8≤ 25	130 110	175 160	8 7	6 5					

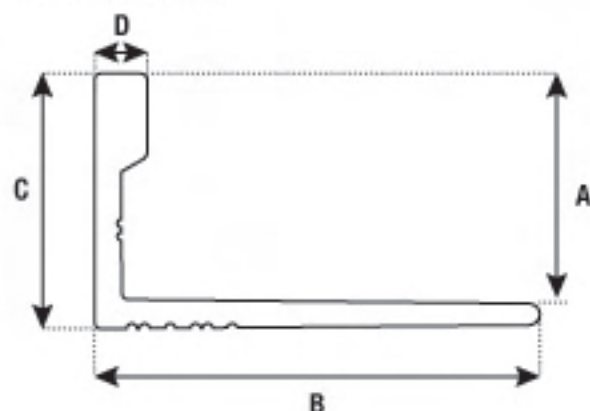
1 Metre	8.5mm Code	10.5mm Code	12.5mm Code	Pk Qty
Brush Finish	ACL1.08BFS	ACL1.10BFS	ACL1.12BFS	20
Bright Silver	ACL1.08BS	ACL1.10BS	ACL1.12BS	20

3 Metre	8.5mm Code	10.5mm Code	12.5mm Code	Pk Qty
Plain	ACL3.08	ACL3.10	ACL3.12	20
Matt Silver	ACL3.08MS	ACL3.10MS	ACL3.12MS	20
Brush Finish	ACL3.08BFS	ACL3.10BFS	ACL3.12BFS	20
Bright Silver	ACL3.08BS	ACL3.10BS	ACL3.12BS	20
White	ACL3.08W	ACL3.10W	ACL3.12W	20
Brush Black	ACL3.08FBK	ACL3.10FBK	ACL3.12FBK	20

Contempo Edge Corners	8.5mm Code	10.5mm Code	12.5mm Code	Pk Qty
Matt Silver	ACL08MS	ACL10MS	ACL12MS	20
Brush Finish	ACL08BFS	ACL10BFS	ACL12BFS	20
Bright Silver	ACL08BS	ACL10BS	ACL12BS	20
Brush Black		ACL10FBK	ACL12FBK	20

Aluminium L-Shape Trim

- Aluminium angle for tile edge protection
- Used where tile meets carpet, wooden floors etc.
- Creates an attractive finish if used on external corners



Size A	B	C	D
4.5mm	21mm	5.2mm	2.5mm
6mm	21mm	7.2mm	2.5mm
8mm	21mm	9.2mm	2.5mm
9mm	21mm	10.2mm	2.5mm
10mm	21mm	11.2mm	2.5mm
11mm	21mm	12.5mm	2.5mm
12.5mm	21mm	13.7mm	2.5mm
13mm	21mm	14.2mm	2.5mm
15mm	21mm	16.2mm	2.5mm
18.5mm	21mm	19.7mm	2.5mm
20mm	21mm	21.2mm	2.5mm
22mm	21mm	23.2mm	2.5mm
25mm	21mm	26.2mm	2.5mm

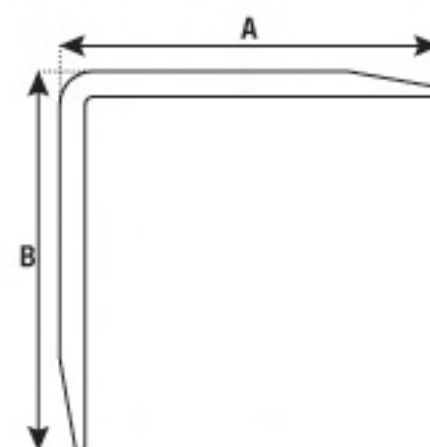
ALLOY: 6063 TEMPER: T5										
CHEMICAL CONTENT										
STANDARD	SILICONE (%)	IRON (%)	COPPER (%)	MANGANESE (%)	MAGNESIUM (%)	CHROMIUM (%)	ZINC (%)	TITANIUM (%)	OTHER (each 0.05%) (%)	ALUMINIUM (%)
(DIN/BS EN 573-3:1994) (DIN/BS EN 755-2:1997)	0.20-0.60	0.35	0.1	0.1	0.45-0.90	0.1	0.1	0.1	0.15	Rem
MECHANICAL PROPERTY										
STANDARD	DIMENSION (mm)	0.2% Proof Stress minimum (N/mm ²)	Tensile Strength minimum (N/mm ²)	Elongation (%)	Elongation on 50mm (%)					
(DIN/BS EN 573-3:1994) (DIN/BS EN 755-2:1997)	<-3	130	175	8	8					
	3<c<-25	110	160	7	5					

1metre											
Colour	4.5mm Code	6mm Code	8mm Code	9mm Code	10mm Code	11mm Code	12.5mm Code	15mm Code	18.5mm Code	22mm Code	Pk Qty
Plain	ALA1.04	ALA1.06	ALA1.08	ALA1.09	ALA1.10	ALA1.11	ALA1.12	ALA1.15	ALA1.18	ALA1.22	20
Matt Silver		ALA1.06MS	ALA1.08MS		ALA1.10MS		ALA1.12MS				20
Bright Silver		ALA1.06BS	ALA1.08BS	ALA1.09BS	ALA1.10BS		ALA1.12BS	ALA1.15BS	ALA1.18BS	ALA1.22BS	20
Bright Gold		ALA1.06BG	ALA1.08BG		ALA1.10BG		ALA1.12BG	ALA1.15BG	ALA1.18BG	ALA1.22BG	20

3metre														
Colour	4.5mm Code	6mm Code	8mm Code	9mm Code	10mm Code	11mm Code	12.5mm Code	13mm Code	15mm Code	18.5mm Code	20mm Code	22mm Code	25mm Code	Pk Qty
Plain	ALA3.04	ALA3.06	ALA3.08	ALA3.09	ALA3.10	ALA3.11	ALA3.12	ALA3.13	ALA3.15	ALA3.18	ALA3.20	ALA3.22	ALA3.25	20
Matt Silver		ALA3.06MS	ALA3.08MS	ALA3.09MS	ALA3.10MS	ALA3.11MS	ALA3.12MS	ALA3.13MS	ALA3.15MS	ALA3.18MS	ALA3.20MS	ALA3.22MS	ALA3.25MS	20
Brush Finish	ALA3.04BFS		ALA3.08BFS		ALA3.10BFS	ALA3.11BFS	ALA3.12BFS	ALA3.13BFS			ALA3.20BFS		ALA3.25BFS	20
Bright Silver	ALA3.04BS	ALA3.06BS	ALA3.08BS	ALA3.09BS	ALA3.10BS	ALA3.11BS	ALA3.12BS	ALA3.13BS	ALA3.15BS	ALA3.18BS	ALA3.20BS	ALA3.22BS	ALA3.25BS	20
Bright Gold		ALA3.06BG	ALA3.08BG	ALA3.09BG	ALA3.10BG		ALA3.12BG		ALA3.15BG	ALA3.18BG				20
Black	ALA3.04BK	ALA3.06BK	ALA3.08BK		ALA3.10BK	ALA3.11BK	ALA3.12BK		ALA3.15BK	ALA3.18BK		ALA3.22BK		20
White	ALA3.04W	ALA3.06W	ALA3.08W	ALA3.09W	ALA3.10W	ALA3.11W	ALA3.12W		ALA3.15W	ALA3.18W		ALA3.22W		20
Brush Black		ALA3.06FBK	ALA3.08FBK		ALA3.10FBK	ALA3.11FBK	ALA3.12FBK		ALA3.15FBK		ALA3.20FBK		ALA3.25FBK	20
Surlmist			ALA3.08SM		ALA3.10SM		ALA3.12SM		ALA3.15SM					
Matt Black		ALA3.06MBL	ALA3.08MBL		ALA3.10MBL	ALA3.11MBL	ALA3.12MBL							
Matt White			ALA3.08MW	ALA3.09MW	ALA3.10MW	ALA3.11MW	ALA3.12MW							

Retro Fit L-Shape

- Designed to protect the edge of tiles
- Retro fits to tiles where trim is added after tiling process is completed
- Used where tile meets carpet, wooden floors etc
- Ideal for creating a stylish and professional finish



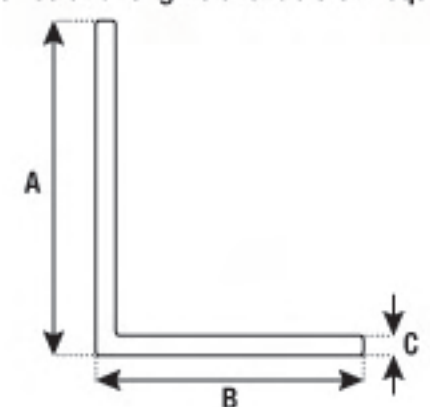
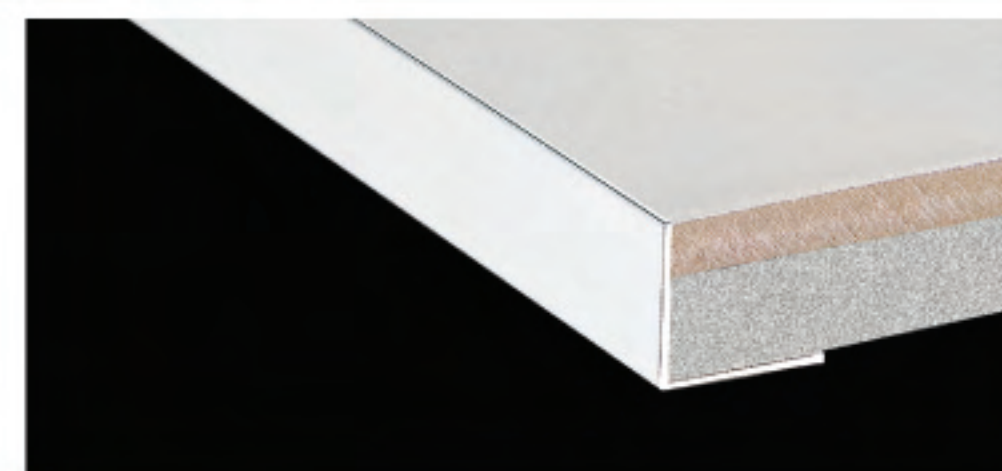
Size A	B
10mm	10mm
15mm	15mm
20mm	20mm

ALLOY: 6063 TEMPER: T5										
CHEMICAL CONTENT										
STANDARD	SILICONE (%)	IRON (%)	COPPER (%)	MANGANESE (%)	MAGNESIUM (%)	CHROMIUM (%)	ZINC (%)	TITANIUM (%)	OTHER (each 0.05%) (%)	ALUMINIUM (%)
(DIN/BS EN 573-3:1994) (DIN/BS EN 755-2:1997)	0.20-0.60	0.35	0.1	0.1	0.45-0.90	0.1	0.1	0.1	0.15	Rem
MECHANICAL PROPERTY										
STANDARD	DIMENSION (mm)	0.2% Proof Stress minimum (N/mm ²)	Tensile Strength minimum (N/mm ²)	Elongation (%)	Elongation on 50mm (%)					
(DIN/BS EN 573-3:1994) (DIN/BS EN 755-2:1997)	<-3	130	175	8	8					
	3<c<-25	110	160	7	5					

Colour	10mm Code	15mm Code	20mm Code	Pk Qty
Brush Finish	ARL3.10BFS	ARL3.15BFS	ARL3.20BFS	20
Bright Silver	ARL3.10BS	ARL3.15BS	ARL3.20BS	20
White	ARL3.10W	ARL3.15W	ARL3.20W	20
Brush Black	ARL3.10FBK	ARL3.15FBK	ARL3.20FBK	20

Unperforated Aluminium L-Shape Angle - 4metre

- Various size angles for commonly used self levelling compounds and screeds
- Other sizes and lengths available on request



Size A	B	C
20mm	12mm	1.5mm
20mm	25mm	1.5mm
20mm	25mm	3mm
40mm	25mm	1.5mm
40mm	25mm	3mm

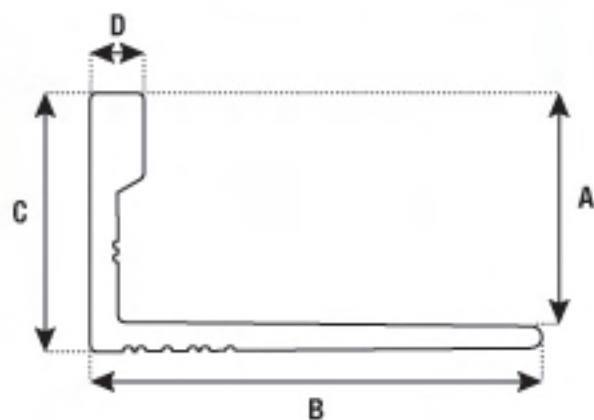
ALLOY: 6063 TEMPER: T5										
CHEMICAL CONTENT										
STANDARD	SILICONE (%)	IRON (%)	COPPER (%)	MANGANESE (%)	MAGNESIUM (%)	CHROMIUM (%)	ZINC (%)	TITANIUM (%)	OTHER (each 0.05%) (%)	ALUMINIUM (%)
(DIN/BS EN 573-3:1994) (DIN/BS EN 755-2:1997)	0.20-0.60	0.35	0.1	0.1	0.45-0.90	0.1	0.1	0.1	0.15	Rem
MECHANICAL PROPERTY										
STANDARD	DIMENSION (mm)	0.2% Proof Stress minimum (N/mm ²)	Tensile Strength minimum (N/mm ²)	Elongation (%)	Elongation on 50mm (%)					
(DIN/BS EN 573-3:1994) (DIN/BS EN 755-2:1997)	<-3	130	175	8	8					
	3<c<-25	110	160	7	5					

Colour	20mm x 12mm x 1.5mm Code	20mm x 25mm x 1.5mm Code	20mm x 25mm x 3mm Code	40mm x 25mm x 1.5mm Code	40mm x 25mm x 3mm Code	Pk Qty
Plain	PAA4.2012/1.5	PAA4.2025/1.5	PAA4.20253	PAA4.4025/1.5	PAA4.40253	20

Formable L-Shape Angle - 3metre

- Formable angle is ideal for tiles with a curve
- Can be used on floor and wall
- Can be used as an edge protection of tiled floors

TRADE



Size A	B	C	D
4.5mm	21mm	5.2mm	2.5mm
6mm	21mm	7.2mm	2.5mm
8mm	21mm	9.2mm	2.5mm
10mm	21mm	11.2mm	2.5mm
12.5mm	21mm	13.7mm	2.5mm
15mm	21mm	16.2mm	2.5mm

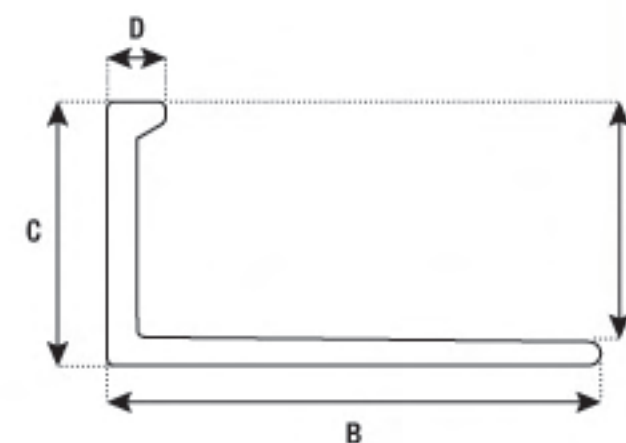
ALLOY: 6063 TEMPER: T5										
CHEMICAL CONTENT										
STANDARD	SILICONE (%)	IRON (%)	COPPER (%)	MANGANESE (%)	MAGNESIUM (%)	CHROMIUM (%)	ZINC (%)	TITANIUM (%)	OTHER (each 0.05%) (%)	ALUMINIUM (%)
(ENVS) EN 573-3:1994 (ENVS) EN 755-2:1997	0.20-0.60	0.35	0.1	0.1	0.45-0.90	0.1	0.1	0.1	0.15	Rem.
MECHANICAL PROPERTY										
STANDARD	DIMENSION (mm)	0.2% Proof Stress minimum (N/mm ²)	Tensile Strength minimum (N/mm ²)	Elongation (%)	Elongation on 50mm (%)					
(ENVS) EN 573-3:1994 (ENVS) EN 755-2:1997	≤ 3	130	175	8	6					
	3\leq25	110	160	7	5					

Colour	4.5mm Code	6mm Code	8mm Code	10mm Code	12.5mm Code	15mm Code	Pk Qty
Plain	ALAF3.04	ALAF3.06	ALAF3.08	ALAF3.10	ALAF3.12	ALAF3.15	20
Black	ALAF3.04BK	ALAF3.06BK	ALAF3.08BK	ALAF3.10BK	ALAF3.12BK		20
White	ALAF3.04NW	ALAF3.06NW	ALAF3.08NW	ALAF3.10NW	ALAF3.12NW		20

Brass L-Shape Trim

- Brass angle for tile edge protection
- Used where tile meets carpet, wooden floors etc.
- Creates an attractive finish if used on external corners

DIY TRADE



Size A	B	C	D
4mm	21.5mm	5.2mm	2.5mm
6mm	21.5mm	7.2mm	2.5mm
8mm	21.5mm	9.2mm	2.5mm
10mm	21.5mm	11.2mm	2.5mm
12.5mm	21.5mm	13.7mm	2.5mm
15mm	21.5mm	16.2mm	2.5mm
18.5mm	21.5mm	19.7mm	2.5mm
22mm	21.5mm	23.2mm	2.5mm

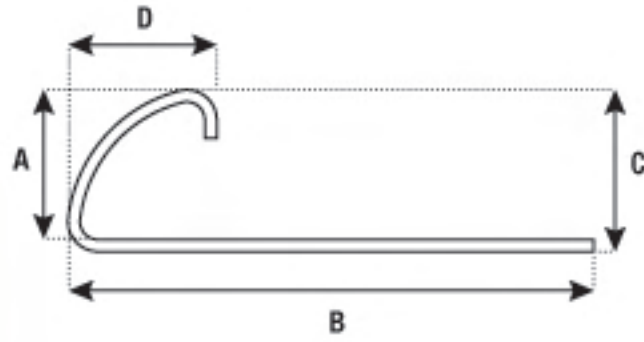
BRASS ALLOY: 380								
CHEMICAL CONTENT								
STANDARD	COPPER (%)	IRON (%)	LEAD (%)	MANGANESE (%)	TIN (%)	NICKEL (%)	ALUMINIUM (%)	ZINC (%)
AS1967	57.2	0.3	2.17	0.01	0.39	0.19	0.45	Rem.
MECHANICAL PROPERTY								
STANDARD	Tensile Strength minimum (N/mm ²)				Elongation (%)			
AS1967	64.38				12			

1metre	8mm Code	10mm Code	12.5mm Code	15mm Code	18.5mm Code	22mm Code	Pk Qty
Colour							
Plain	PMB1.08	PMB1.10	PMB1.12.5	PMB1.15	PMB1.18.5	PMB1.22	20

3metre	4.5mm Code	6mm Code	8mm Code	10mm Code	12.5mm Code	15mm Code	18.5mm Code	22mm Code	Pk Qty
Colour									
Plain	PMB3.04	PMB3.06	PMB3.08	PMB3.10	PMB3.12.5	PMB3.15	PMB3.18.5	PMB3.22	20

Stainless Steel Round Edge Trim - 3metre

- Stainless Steel semi-quadrant round edge creates an elegant decorative external corner
- Can be used on: stairs, bath hobs, external corners both horizontal or vertical and finishing trim on a wall
- Available in 316L Marine Grade Stainless Steel



Size A	B	C	D
6mm	25.5mm	6.8mm	6.4mm
8mm	27mm	8.8mm	8mm
10mm	29mm	10.8mm	10mm
12.5mm	32mm	13.3mm	12.5mm

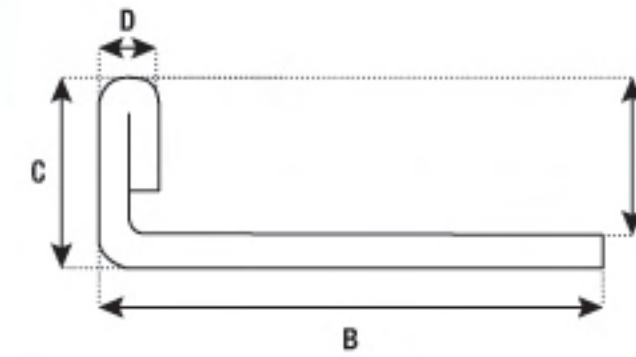
CHEMICAL CONTENT (316 Grade)									
STANDARD	CARBON C (%)	MANGANESE Mn (%)	SILICON Si (%)	PHOSPHORUS P (%)	SULFUR S (%)	CHROMIUM Cr (%)	MOLYBDENUM Mo (%)	NICKEL Ni (%)	NITROGEN N (%)
ASTM A 240	0.08	2.0	0.75	0.045	0.030	16.0-18.0	2.0-3.0	10.0-14.0	0.10

MECHANICAL PROERTY			
STANDARD	Tensile Strength minimum(MPa)	Yield Strength minimum(MPa)	Elongation (%)
ASTM A 240	515	205	40

Colour	6mm Code	8mm Code	10mm Code	12mm Code	Pk Qty
	SRE3.06316	SRE3.08316	SRE3.10316	SRE3.12316	20

Stainless Steel L-Shape Trim - 3metre

- Stainless Steel L-shape angle available in 3metre lengths
- Creates an elegant decorative finish for: stairs, external corners both horizontal and vertical, transition between carpet and tile and finishing trim on a wall
- Available in both 304 Grade and Marine Grade 316L Stainless Steel



Size A	B	C	D
4mm	27mm	4.8mm	2.2mm
6mm	27mm	6.8mm	2.2mm
8mm	27mm	8.8mm	2.2mm
10mm	27mm	10.8mm	2.2mm
12mm	27mm	12.8mm	2.2mm
15mm	27mm	15.8mm	2.2mm
18mm	27mm	18.8mm	2.2mm
22mm	27mm	22.8mm	2.2mm

CHEMICAL CONTENT (304 Grade)								
STANDARD	CARBON C (%)	MANGANESE Mn (%)	SILICON Si (%)	PHOSPHORUS P (%)	SULFUR S (%)	CHROMIUM Cr (%)	NICKEL Ni (%)	NITROGEN N (%)
ASTM A 240	0.08	2.0	0.75	0.045	0.030	18.0-20.0	8.0-10.5	0.10

MECHANICAL PROERTY			
STANDARD	Tensile Strength minimum(MPa)	Yield Strength minimum(MPa)	Elongation (%)
ASTM A 240	515	205	40

CHEMICAL CONTENT (316 Grade)									
STANDARD	CARBON C (%)	MANGANESE Mn (%)	SILICON Si (%)	PHOSPHORUS P (%)	SULFUR S (%)	CHROMIUM Cr (%)	MOLYBDENUM Mo (%)	NICKEL Ni (%)	NITROGEN N (%)
ASTM A 240	0.08	2.0	0.75	0.045	0.030	16.0-18.0	2.0-3.0	10.0-14.0	0.10

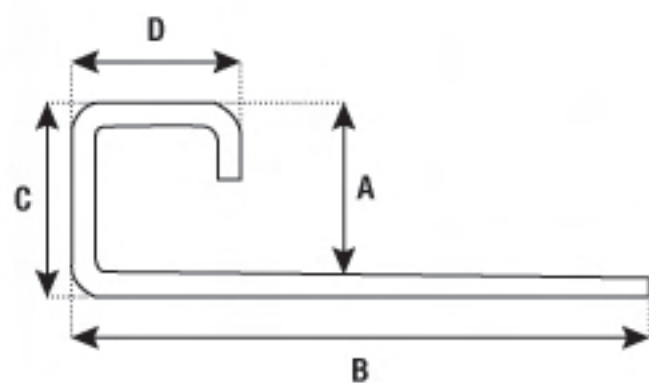
MECHANICAL PROERTY			
STANDARD	Tensile Strength minimum(MPa)	Yield Strength minimum(MPa)	Elongation (%)
ASTM A 240	515	205	40

Colour	4mm Code	6mm Code	8mm Code	10mm Code	12mm Code	15mm Code	18mm Code	22mm Code	Pk Qty
	SSE3.04304	SSE3.06304	SSE3.08304	SSE3.10304	SSE3.12304	SSE3.15304	SSE3.18304	SSE3.22304	20
	SSE3.04316		SSE3.08316	SSE3.10316	SSE3.12316		SSE3.18316	SSE3.22316	20
			SSE3.08316MIB	SSE3.10316MIB	SSE3.12316MIB				20
			SSE3.08304BFS	SSE3.10304BFS	SSE3.12304BFS				20
			SSE3.08316BFS	SSE3.10316BFS	SSE3.12316BFS				20

Stainless Steel Square Edge Trim - 3metre



- Stainless Steel square edge available in 3metre lengths
- Creates an elegant decorative finish for: stairs, external corners both horizontal and vertical, transition between carpet and tile and finishing trim on a wall
- Available in both 304 Grade and Marine Grade 316L Stainless Steel



Size A	B	C	D
8mm	27mm	8.8mm	8.8mm
10mm	27mm	10.8mm	8mm
12mm	27mm	12.8mm	8mm

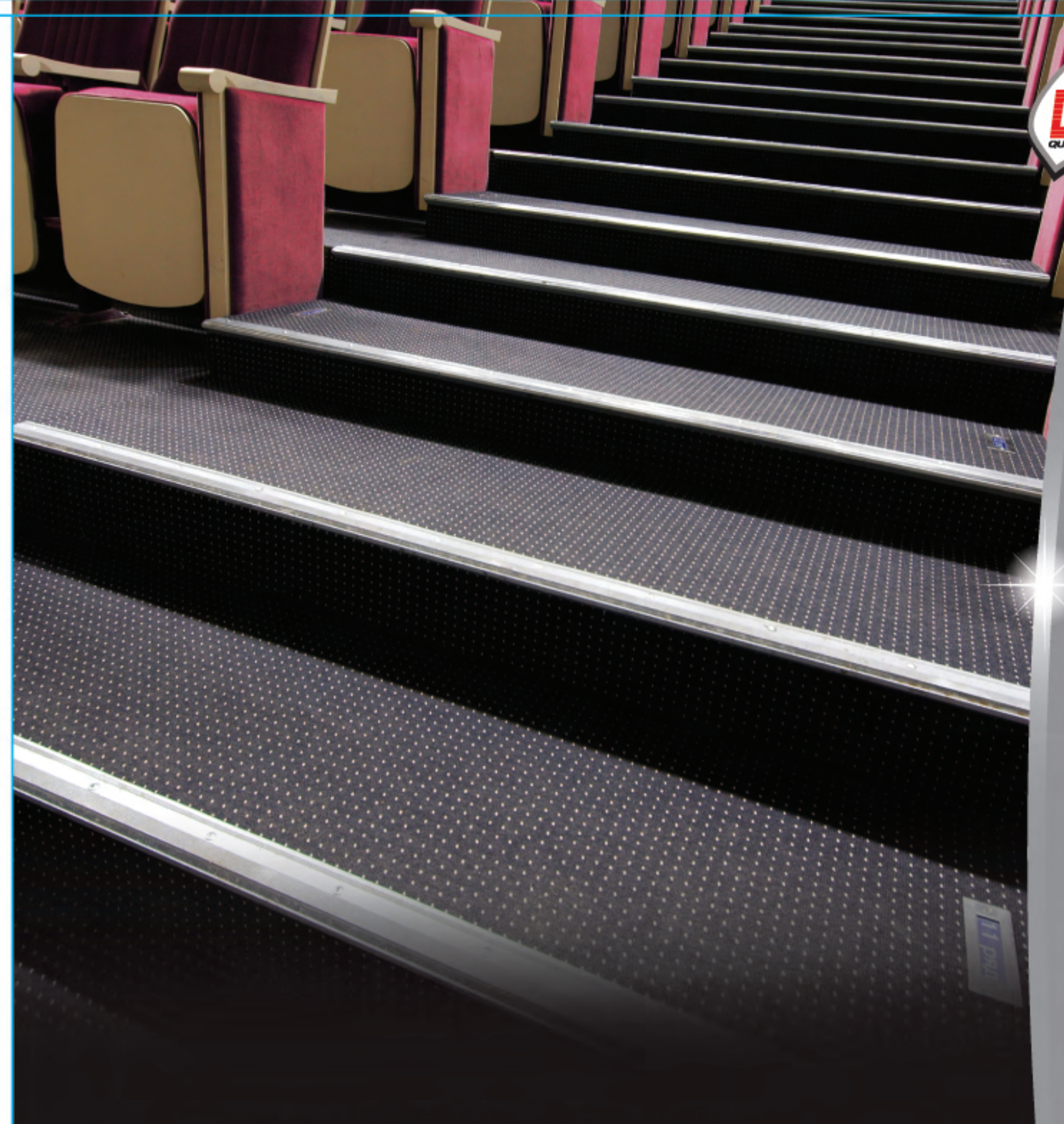
CHEMICAL CONTENT (304 Grade)								
STANDARD	CARBON C(%)	MANGANESE Mn(%)	SILICON Si(%)	PHOSPHORUS P(%)	SULFUR S(%)	CHROMIUM Cr(%)	NICKEL Ni(%)	NITROGEN N(%)
ASTM A 240	0.08	2.0	0.75	0.045	0.030	18.0-20.0	8.0-10.5	0.10

MECHANICAL PROPERTY			
STANDARD	Tensile Strength minimum(MPa)	Yield Strength minimum(MPa)	Elongation (%)
ASTM A 240	515	205	40

CHEMICAL CONTENT (316 Grade)									
STANDARD	CARBON C(%)	MANGANESE Mn(%)	SILICON Si(%)	PHOSPHORUS P(%)	SULFUR S(%)	CHROMIUM Cr(%)	MOYBDENUM Mo(%)	NICKEL Ni(%)	NITROGEN N(%)
ASTM A 240	0.08	2.0	0.75	0.045	0.030	16.0-18.0	2.0-3.0	10.0-14.0	0.10

MECHANICAL PROPERTY			
STANDARD	Tensile Strength minimum(MPa)	Yield Strength minimum(MPa)	Elongation (%)
ASTM A 240	515	205	40

Colour		8mm Code	10mm Code	12mm Code	Pk Qty
	Stainless Steel (304 Grade)	SSQ3.08304	SSQ3.10304	SSQ3.12304	20
	Stainless Steel (316 Grade)	SSQ3.08316	SSQ3.10316	SSQ3.12316	20
	Mirror Black Stainless Steel (316L Grade)	SSQ3.08316MIB	SSQ3.10316MIB	SSQ3.12316MIB	20
	Brush Finish (316L Grade)		SSQ3.10316BFS	SSQ3.12316BFS	20



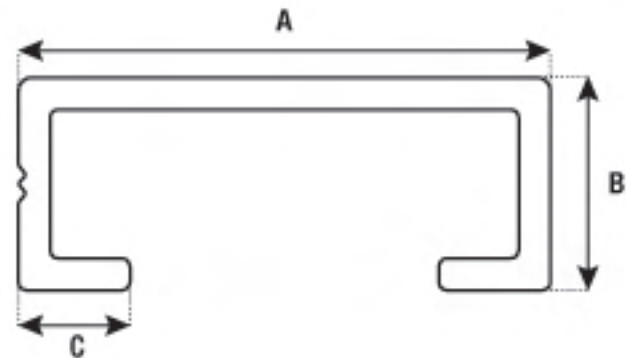
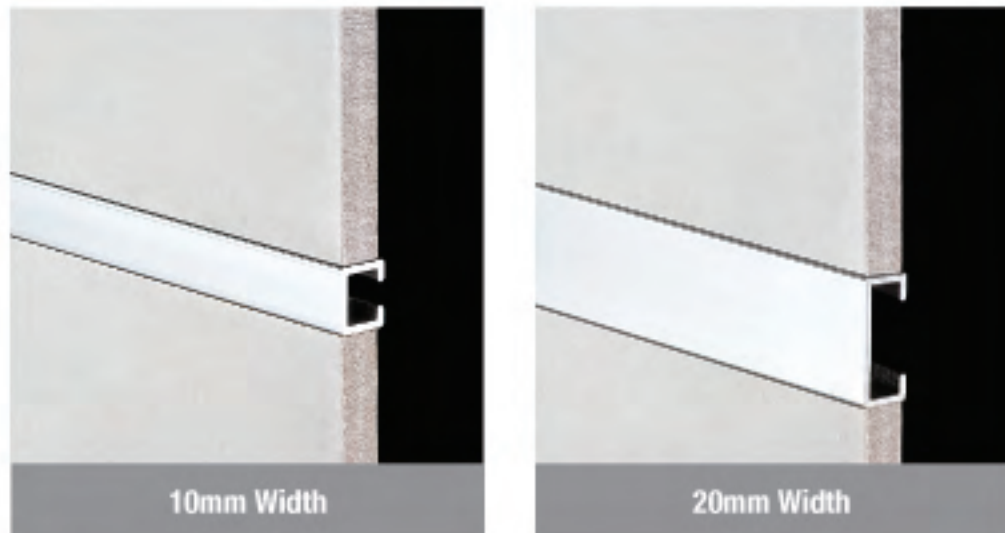
TRANSITION TRIM

TRANSITION TRIM

DTA Transition Trims are designed to provide a smooth transition between tile and floor coverings or finished concrete at lower elevations. They are also designed to provide a smooth transition between two different materials of the same height.

Aluminium Flat Listello Trim

- Ideal for most domestic or commercial applications
- Available in a range of anodised and powder coated colours (Customised colours available on request)
- Creates a modern contemporary look without the expense of ceramic Listello Tiles



Size A	B	C
10mm	8mm	3.2mm
20mm	8mm	4.2mm

CHEMICAL CONTENT										
STANDARD	SILICONE (%)	IRON (%)	COPPER (%)	MANGANESE (%)	MAGNESIUM (%)	CHROMIUM (%)	ZINC (%)	TITANIUM (%)	OTHER (each 0.005%) (%)	ALUMINIUM (%)
(DIN/BS EN 573-3:1994) (DIN/BS EN 755-2:1997)	0.20-0.60	0.35	0.1	0.1	0.45-0.90	0.1	0.1	0.1	0.15	Rem

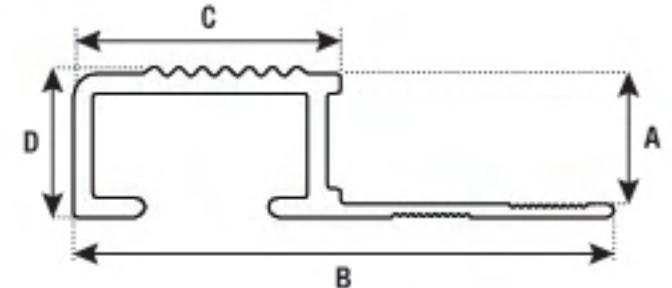
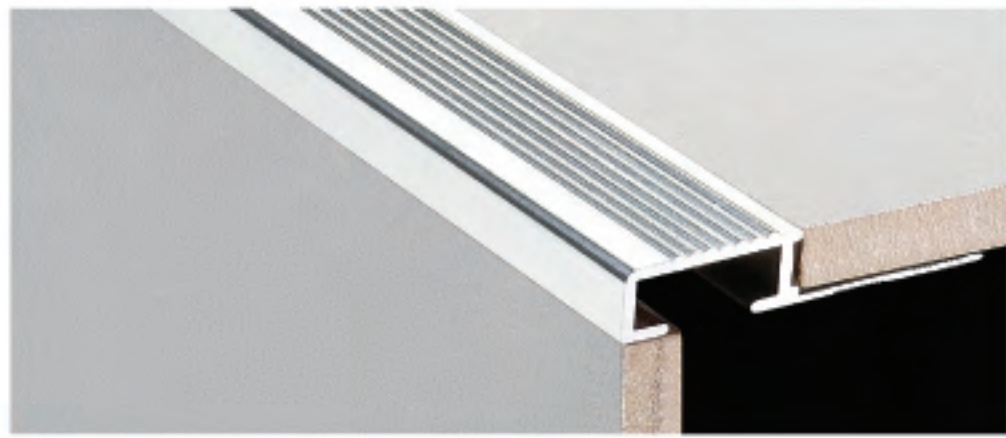
MECHANICAL PROPERTY					
STANDARD	DIMENSION (mm)	0.2% Proof Stress minimum (N/mm ²)	Tensile Strength minimum (N/mm ²)	Elongation (%)	Elongation on 50mm (%)
(DIN/BS EN 573-3:1994) (DIN/BS EN 755-2:1997)	<=3	130	175	8	8
	3<ac=25	110	160	7	5

2metre		10mm	20mm	Pk Qty
Colour		Code	Code	
	Plain	ABT2.10	ABT2.20	10
	Matt Silver	ABT2.10MS	ABT2.20MS	10
	Bright Silver	ABT2.10BS	ABT2.20BS	10
	Bright Gold	ABT2.10BG	ABT2.20BG	10
	Black	ABT2.10BK	ABT2.20BK	10

3metre		10mm	20mm	Pk Qty
Colour		Code	Code	
	Bright Silver	ABT3.10BS	ABT3.20BS	10

Aluminium Step Edge Trim

- Tile in safety step edge trim
- Ideal for commercial application
- Rippled surface for extra grip
- Tested to the requirements of AS 4586:2013 with a P4 Slip Resistance rating



Size A	B	C	D
8mm	41mm	20mm	9mm
10mm	41mm	20mm	11mm
12.5mm	41mm	20mm	14mm

CHEMICAL CONTENT										
STANDARD	SILICONE (%)	IRON (%)	COPPER (%)	MANGANESE (%)	MAGNESIUM (%)	CHROMIUM (%)	ZINC (%)	TITANIUM (%)	OTHER (each 0.005%) (%)	ALUMINIUM (%)
(DIN/BS EN 573-3:1994) (DIN/BS EN 755-2:1997)	0.20-0.60	0.35	0.1	0.1	0.45-0.90	0.1	0.1	0.1	0.15	Rem

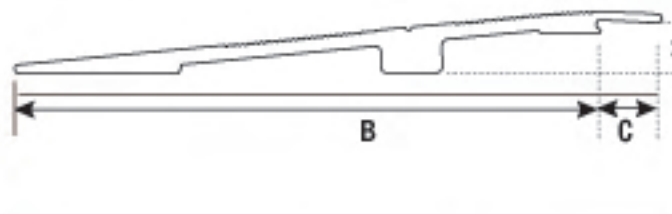
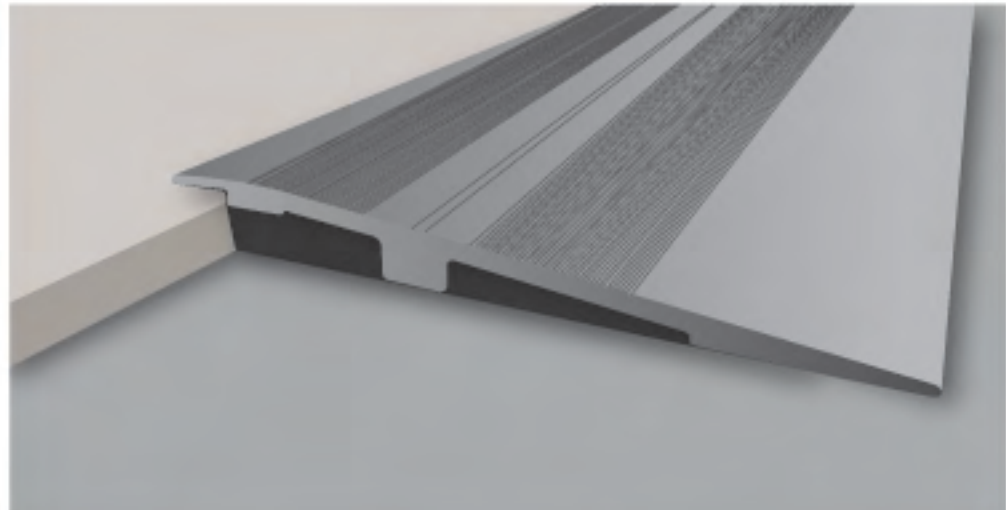
MECHANICAL PROPERTY					
STANDARD	DIMENSION (mm)	0.2% Proof Stress minimum (N/mm ²)	Tensile Strength minimum (N/mm ²)	Elongation (%)	Elongation on 50mm (%)
(DIN/BS EN 573-3:1994) (DIN/BS EN 755-2:1997)	<=3	130	175	8	8
	3<ac=25	110	160	7	5

1metre	8mm	10mm	12.5mm	Pk Qty	
Colour	Code	Code	Code		
	Plain	ASE1.08	ASE1.10	ASE1.12	10

3metre	8mm	10mm	12.5mm	Pk Qty	
Colour	Code	Code	Code		
	Plain	ASE3.08	ASE3.10	ASE3.12	10
	Matt Silver	ASE3.08MS	ASE3.10MS	ASE3.12MS	10
	Bright Silver	ASE3.08BS	ASE3.10BS	ASE3.12BS	10

Aluminium Retro Fit Transition Trim

- Allows for a gradual transition between floor finishes from 5mm to 16mm rise.
- Ideal for domestic or commercial application
- Fast fitting and consistent finish
- Retro Fit Transition available in 3m lengths
- Customised colours available on request
- Tested to slip resistance standard AS 4586:2013 with a slip resistance rating of P3
- Designed for a maximum Gradient of 1 in 8 to the requirements of AS 1428-1:2009



Size A	B	C
5mm	65mm	10mm
9mm	96mm	10mm
13mm	128mm	10mm

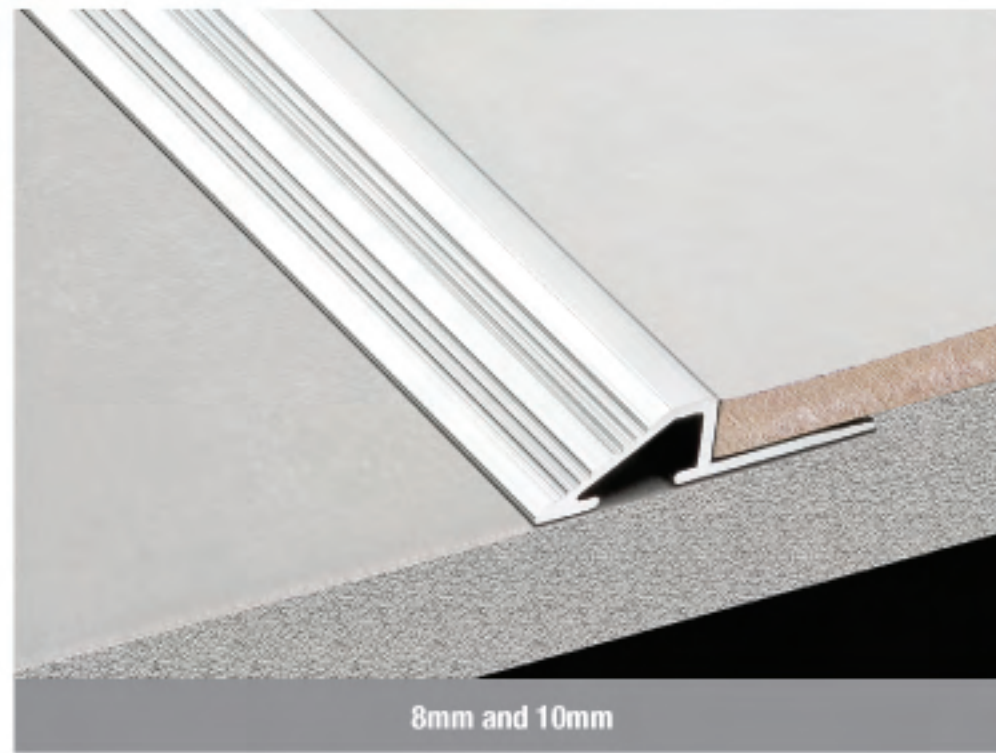
CHEMICAL CONTENT										
STANDARD	SILICONE (%)	IRON (%)	COPPER (%)	MANGANESE (%)	MAGNESIUM (%)	CHROMIUM (%)	ZINC (%)	TITANIUM (%)	OTHER (each 0.005%) (%)	ALUMINIUM (%)
(DIN/BS EN 573-3:1994) (DIN/BS EN 755-2:1997)	0.20-0.60	0.35	0.1	0.1	0.45-0.90	0.1	0.1	0.1	0.15	Rem

MECHANICAL PROPERTY					
STANDARD	DIMENSION (mm)	0.2% Proof Stress minimum (N/mm ²)	Tensile Strength minimum (N/mm ²)	Elongation (%)	Elongation on 50mm (%)
(DIN/BS EN 573-3:1994) (DIN/BS EN 755-2:1997)	<=3	130	175	8	8
	3<ac=25	110	160	7	5

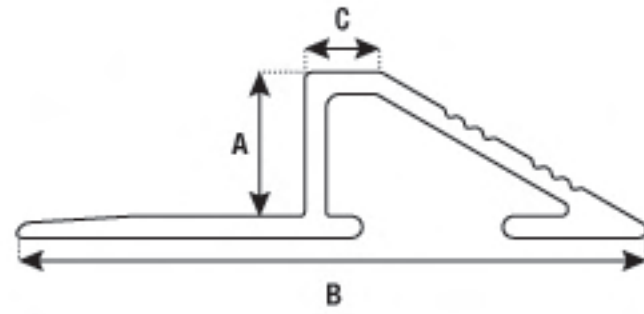
3metre	5mm	9mm	13mm	Pk Qty	
Colour	Code	Code	Code		
	Matt Silver	RTR3.05MS	RTR3.09MS	RTR3.13MS	10

Aluminium Transition Edge Trim

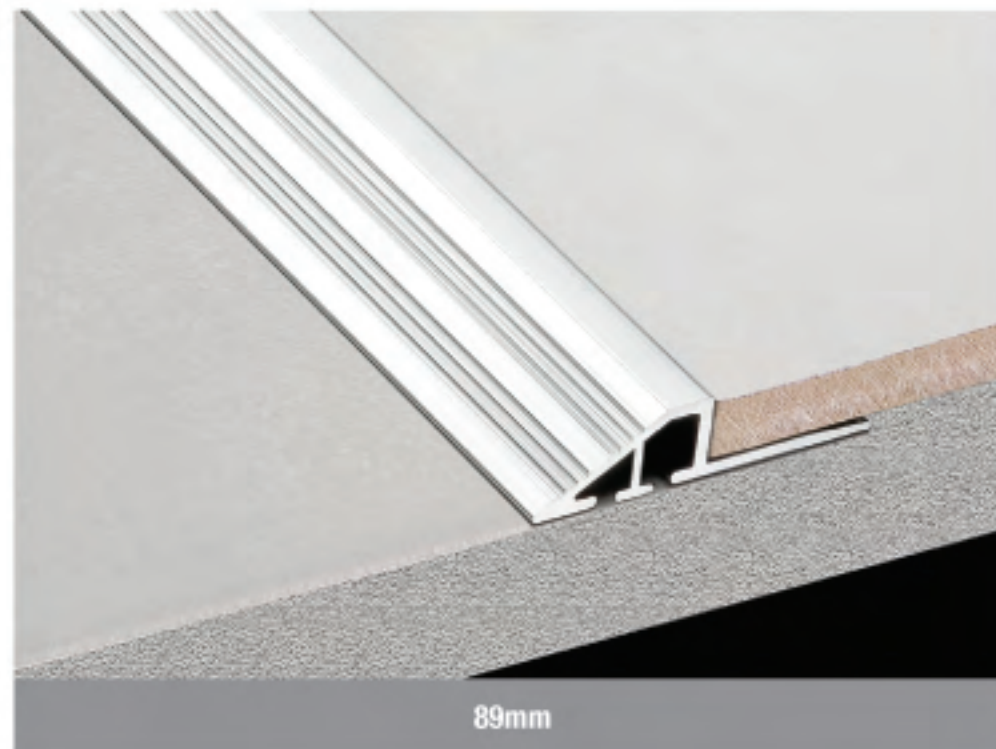
- Transition step edge available in 1metre and 3metre lengths
- Incline allows for a gradual transition from either concrete, wood floor or vinyl to protect the edge of the tile
- Ideal for domestic or commercial application
- Profiles 12.5mm and larger have a support leg for extra strength



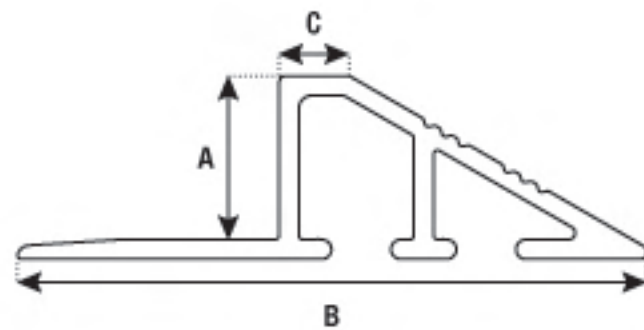
8mm and 10mm



Size	B	C
8mm	40mm	5.5mm
10mm	42mm	5.5mm



89mm



Size	B	C
12.5mm	48mm	5.5mm
16mm	54mm	5.5mm
18.5mm	58mm	5.5mm

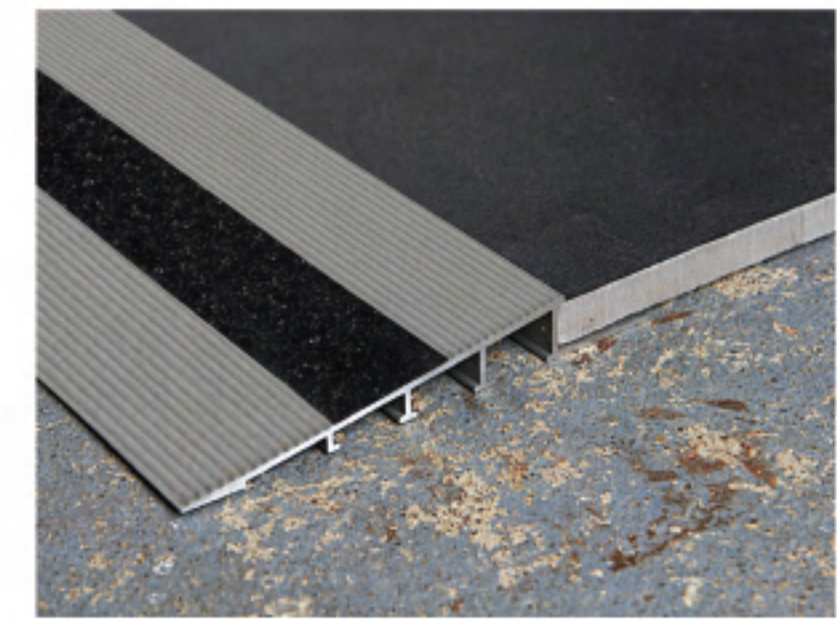
ALLOY: 6063 TEMPER: T5										
CHEMICAL CONTENT										
STANDARD	SILICONE (%)	IRON (%)	COPPER (%)	MANGANESE (%)	MAGNESIUM (%)	CHROMIUM (%)	ZINC (%)	TITANIUM (%)	OTHER (each 0.05%) (%)	ALUMINIUM (%)
(DIN) EN 573-3:1994 (DIN) EN 755-2:1997	0.20-0.60	0.35	0.1	0.1	0.45-0.90	0.1	0.1	0.1	0.15	Rem
MECHANICAL PROPERTY										
STANDARD	DIMENSION (mm)	0.2% Proof Stress minimum (N/mm ²)	Tensile Strength minimum (N/mm ²)	Elongation (%)	Elongation on 50mm (%)					
(DIN) EN 573-3:1994 (DIN) EN 755-2:1997	<-3	130	175	8	6					
	3<-<=25	110	160	7	5					

1metre	8mm	10mm	12.5mm	16mm	18.5mm	Pk Qty
Colour	Code	Code	Code	Code	Code	
Plain	ATSE1.08	ATSE1.10	ATSE1.12	ATSE1.16	ATSE1.18	10

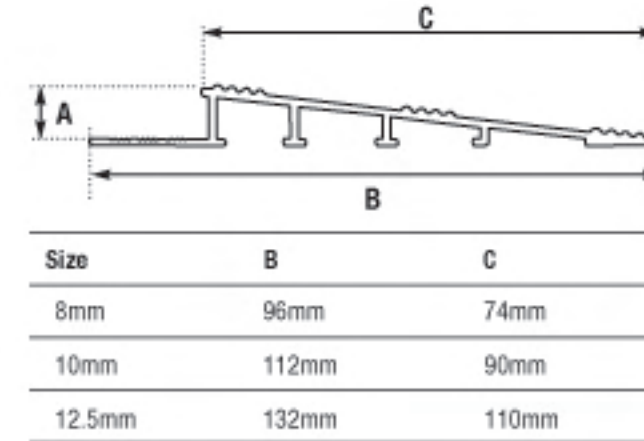
3metre	8mm	10mm	12.5mm	16mm	18.5mm	Pk Qty
Colour	Code	Code	Code	Code	Code	
Plain	ATSE3.08	ATSE3.10	ATSE3.12	ATSE3.16	ATSE3.18	10
Matt Silver	ATSE3.08MS	ATSE3.10MS	ATSE3.12MS	ATSE3.16MS	ATSE3.18MS	10
Bright Silver	ATSE3.08BS	ATSE3.10BS	ATSE3.12BS	ATSE3.16BS	ATSE3.18BS	10

Aluminium Transition Ramp

- Transition step edge available in 3metre lengths
- Incline allows for a gradual transition from either concrete, wood floor or vinyl to protect the edge of the tile
- Ideal for domestic or commercial application
- Designed for a maximum Gradient of 1 in 8 to the requirements of AS 1428-1:2009
- Tested to the requirements of AS 4586:2013 with a P5 Slip Resistance rating
- Can be used with ASAT25X5 Gecko Grip Tape (Sold separately)



* Picture shown with Gecko Grip Tape installed (Sold Separately)



Size	B	C
8mm	96mm	74mm
10mm	112mm	90mm
12.5mm	132mm	110mm

ALLOY: 6063 TEMPER: T5										
CHEMICAL CONTENT										
STANDARD	SILICONE (%)	IRON (%)	COPPER (%)	MANGANESE (%)	MAGNESIUM (%)	CHROMIUM (%)	ZINC (%)	TITANIUM (%)	OTHER (each 0.05%) (%)	ALUMINIUM (%)
(DIN) EN 573-3:1994 (DIN) EN 755-2:1997	0.20-0.60	0.35	0.1	0.1	0.45-0.90	0.1	0.1	0.1	0.15	Rem
MECHANICAL PROPERTY										
STANDARD	DIMENSION (mm)	0.2% Proof Stress minimum (N/mm ²)	Tensile Strength minimum (N/mm ²)	Elongation (%)	Elongation on 50mm (%)					
(DIN) EN 573-3:1994 (DIN) EN 755-2:1997	<-3	130	175	8	6					
	3<-<=25	110	160	7	5					

Colour	8mm HIGH 3.0m LONG		10mm HIGH 3.0m LONG		12.5mm HIGH 3.0m LONG		Pk Qty
	Code	Barcode	Code	Barcode	Code	Barcode	
Plain	ATSE3.074-08	9314942685814	ATSE3.090-10	9314942685821	ATSE3.110-12	9314942685838	10
Matt Silver	ATSE3.074-08MS	9314942687467	ATSE3.090-10MS	9314942685821	ATSE3.110-12MS	9314942687474	10

25mm Gecko Grip Tape

- Designed to provide a safe, non-slip surface under shoe traffic to prevent unnecessary slips and falls
- Strong PET backing filled with a gritty mineral abrasive to create traction
- PET backing is stronger and more durable than those with a PVC backing
- UV Properties
- Indoor and Outdoor Use
- Carbide 60 Grit
- Easily adheres to most surfaces
- Tested to slip resistance standard AS 4586:2013 with a slip resistance rating of P5

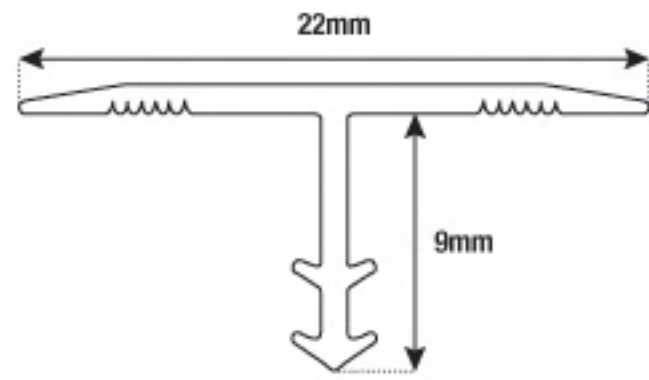
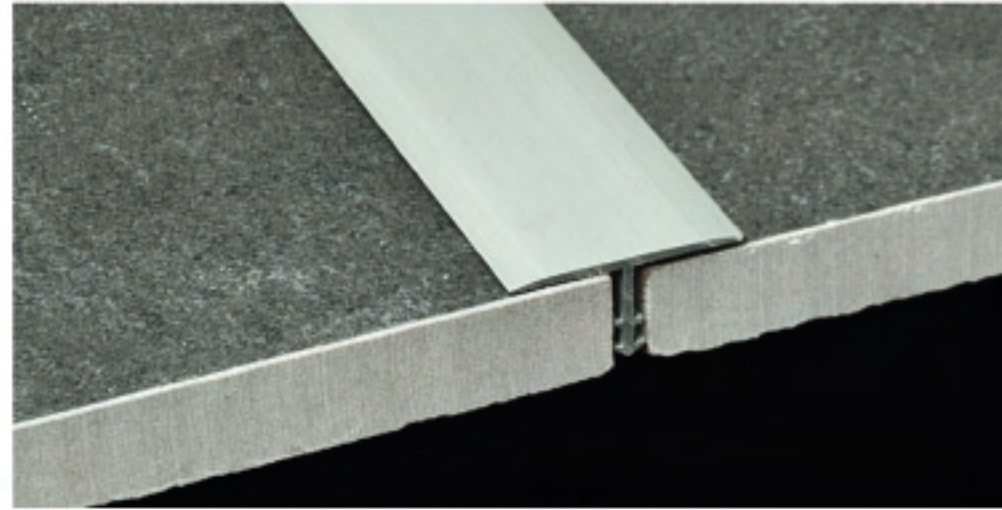


25mm WIDE 5.0m LONG			
Colour	Code	Barcode	Pk Qty
Yellow	ASAT25X5Y	9314942684022	12
Clear	ASAT25X5C	9314942684046	12
Black	ASAT25X5B	9314942684039	12



Aluminium Dividing Trim - 2.5metre

- The dividing trim is designed to provide transitions between existing same-height, hard-surface floor coverings
- Applications include ceramic tile or natural stone, parquet flooring, concrete pavers, laminate etc.
- Primarily used in retrofit applications
- Available in 2 colours



ALLOY: 6063 TEMPER: T5

CHEMICAL CONTENT										
STANDARD	SILICONE (%)	IRON (%)	COPPER (%)	MANGANESE (%)	MAGNESIUM (%)	CHROMIUM (%)	ZINC (%)	TITANIUM (%)	OTHER (each 0.001%) (%)	ALUMINIUM (%)
(DIN/BS EN 573-3:1994) (DIN/BS EN 755-2:1997)	0.20-0.60	0.35	0.1	0.1	0.45-0.90	0.1	0.1	0.1	0.15	Rem
MECHANICAL PROPERTY										
STANDARD	DIMENSION (mm)	0.2% Proof Stress minimum (N/mm ²)	Tensile Strength minimum (N/mm ²)	Elongation (%)	Elongation on 50mm (%)					
(DIN/BS EN 573-3:1994) (DIN/BS EN 755-2:1997)	<-3	130	175	8	6					
	3-<-25	110	160	7	5					

Colour	Size	Code	Pk Qty
Plain	22mm x 2.5m	ADS25.22	10
Matt Silver	22mm x 2.5m	ADS25.22MS	10

TRANSITION TRIM

COMMERCIAL TRIM



COMMERCIAL TRIM

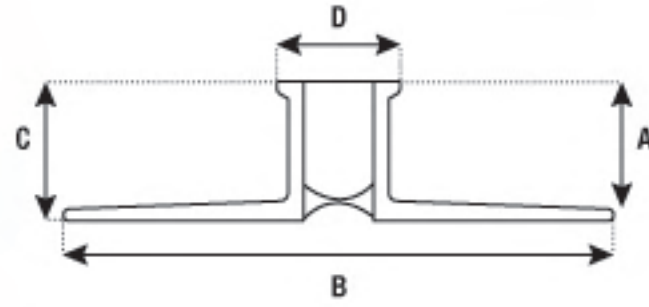
DTA Commercial Trims are made from a high strength alloy for increased durability in high traffic areas.

The designer range enables an elegant contemporary look, while still providing maximum tile protection.

PVC Movement Joints - 2.5metre



- This is a co extruded PVCU movement joint
- Allows movement in larger tiled floors
- Application is for internal use in a domestic area



Size A	B	C	D
8mm	48mm	9.2mm	9mm
10mm	48mm	11.2mm	9.5mm
13mm	48mm	13.2mm	9.5mm

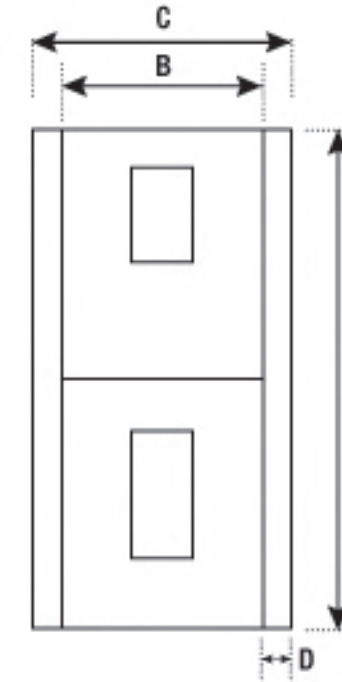
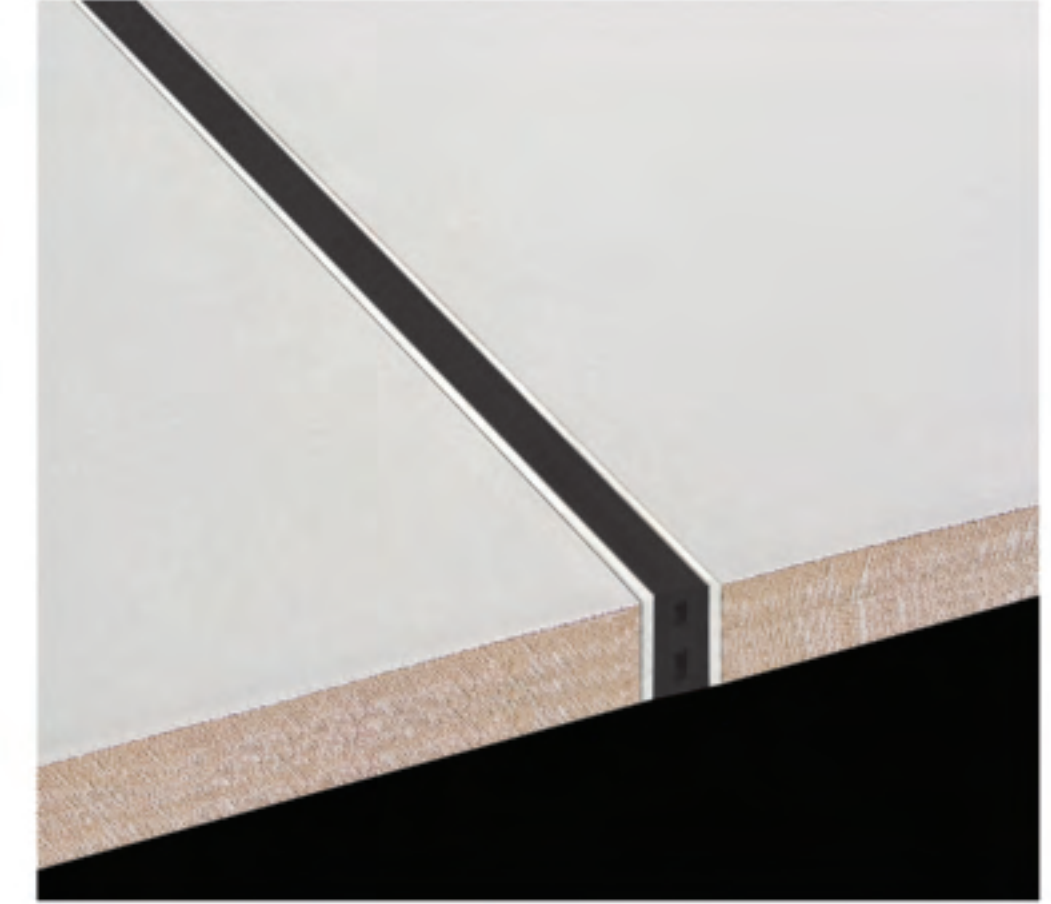
CHEMICAL CONTENT								
STANDARD	LEAD (%)	CADMIUM (%)	ARSENIC (%)	ANTIMONY (%)	BARIUM (%)	MERCURY (%)	SELENIUM (%)	CHROMIUM (%)
AS15	5.0	1.0	1.0	1.0	5.0	1.0	1.0	1.0
MECHANICAL PROPERTY								
STANDARD	Tensile Strength minimum (N/mm ²)				Elongation (%)			
AS15	508.6				127			

Colour	8mm Code	10mm Code	13mm Code	Pk Qty
Grey	EJT08GREY	EJT10GREY	EJT13GREY	20
Beige	EJT08BEIGE	EJT10BEIGE	EJT13BEIGE	20
Black	EJT08BLACK	EJT10BLACK		20

Neostrip Expansion Joint



- Prefabricated movement joint designed to allow for expansion and contraction of floor tiles
- Installed over construction joints
- Designed for thick bed mortar installations
- Neoprene comes in standard grey and black. Other colours are made to order.
- Special order product



Size A	B	C	D
25mm	6mm/10mm	9mm/13mm	1.5mm
30mm	6mm/10mm	9mm/13mm	1.5mm
40mm	6mm/10mm	9mm/13mm	1.5mm
50mm	6mm/10mm	9mm/13mm	1.5mm

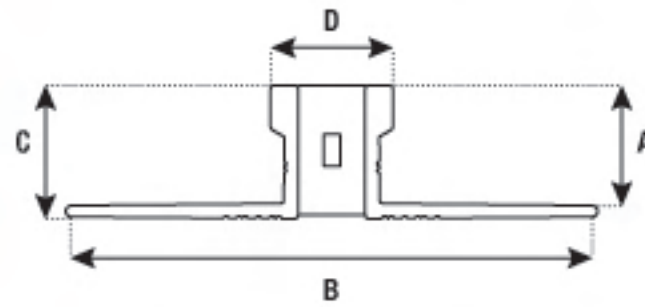
CHEMICAL CONTENT								
STANDARD	LEAD (%)	CADMIUM (%)	ARSENIC (%)	ANTIMONY (%)	BARIUM (%)	MERCURY (%)	SELENIUM (%)	CHROMIUM (%)
AS15	5.0	1.0	1.0	1.0	5.0	1.0	1.0	1.0
MECHANICAL PROPERTY								
STANDARD	Tensile Strength minimum (N/mm ²)				Elongation (%)			
AS15	508.6				127			

6mm wide		25mm Code	30mm Code	40mm Code	50mm Code	Pk Qty
Colour	Grey	NANG18A25X06G	NANG18A30X06G	NANG18A40X06G	NANG18A50X06G	20
	Black	NANG18A25X06BL	NANG18A30X06BL	NANG18A40X06BL	NANG18A50X06BL	20

10mm wide		25mm Code	30mm Code	40mm Code	50mm Code	Pk Qty
Colour	Grey	NANG18A25X10G	NANG18A30X10G	NANG18A40X10G	NANG18A50X10G	20
	Black	NANG18A25X10BL	NANG18A30X10BL	NANG18A40X10BL	NANG18A50X10BL	20

Neoprene Aluminium Movement Joints - 3metre

- Prefabricated movement joint designed to allow for expansion and contraction of floor tiles
- Neoprene insert available in both grey and black
- Aluminium angles protect edge of tiles from damage
- Installed over construction joints



Size A	B	C	D (6mm)	D (10mm)
8mm	52mm	9.2mm	11mm	15mm
10mm	52mm	11.2mm	11mm	15mm
11mm	52mm	12.2mm	11mm	15mm
12.5mm	52mm	13.7mm	11mm	15mm
15mm	52mm	16.2mm	11mm	15mm
18.5mm	52mm	19.7mm	11mm	15mm
20mm	52mm	21.2mm	11mm	15mm
22mm	52mm	23.2mm	11mm	15mm

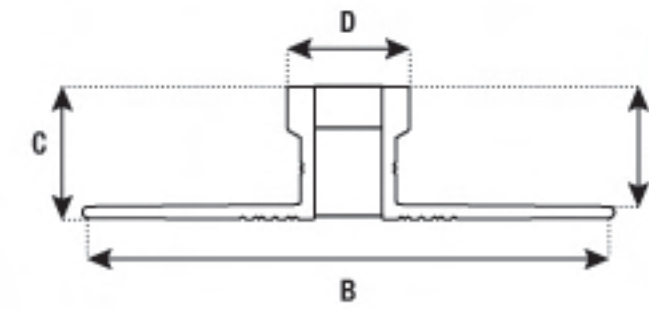
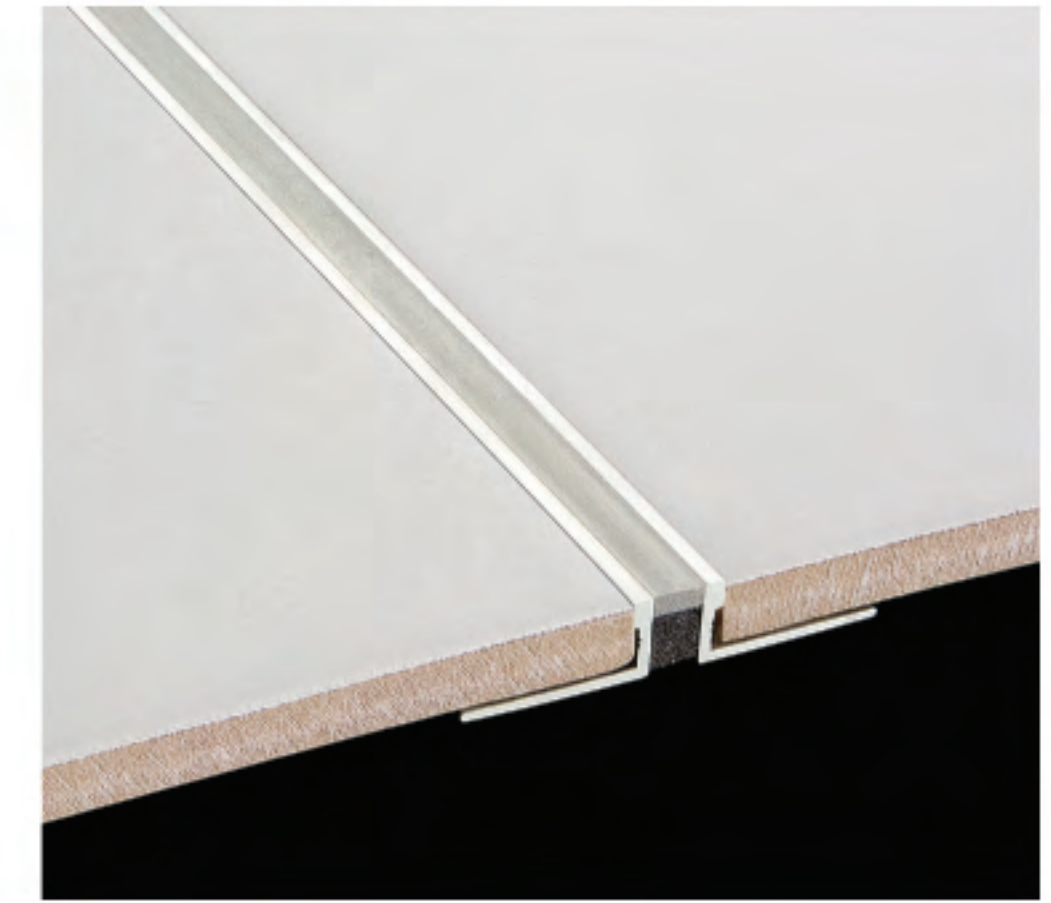
ALLOY: 6063		TEMPER: T5									
CHEMICAL CONTENT											
STANDARD	SILICONE (%)	IRON (%)	COPPER (%)	MANGANESE (%)	MAGNESIUM (%)	CHROMIUM (%)	ZINC (%)	TITANIUM (%)	OTHER (each 0.00%) (%)	ALUMINIUM (%)	
(DIN93) EN 573-3:1994 (DIN93) EN 755-2:1997	0.20-0.80	0.35	0.1	0.1	0.45-0.90	0.1	0.1	0.1	0.15	Rem	
MECHANICAL PROPERTY											
STANDARD	DIMENSION (mm)	0.2% Proof Stress minimum (N/mm ²)	Tensile Strength minimum (N/mm ²)	Elongation (%)	Elongation on 50mm (%)						
(DIN93) EN 573-3:1994 (DIN93) EN 755-2:1997	≤ 3	130	175	8	6						
	3≤ 25	110	160	7	5						

6mm wide		8mm	10mm	11mm	12.5mm	15mm	18.5mm	20mm	22mm	Pk Qty
Colour		Code	Code	Code	Code	Code	Code	Code	Code	
	Grey		PANG3A10X6G	PANG3A11X6G	PANG3A12X6G	PANG3A15X6G	PANG3A18X6G	PANG3A20X6G	PANG3A22X6G	10
	Black		PANG3A10X6BL	PANG3A11X6BL	PANG3A12X6BL	PANG3A15X6BL	PANG3A18X6BL	PANG3A20X6BL	PANG3A22X6BL	10
	Beige		PANG3A10X6BE		PANG3A12X6BE				PANG3A22X6BE	10

10mm wide		8mm	10mm	11mm	12.5mm	15mm	18.5mm	20mm	22mm	Pk Qty
Colour		Code	Code	Code	Code	Code	Code	Code	Code	
	Grey	PANG3A08X10G	PANG3A10X10G	PANG3A11X10G	PANG3A12X10G	PANG3A15X10G	PANG3A18X10G	PANG3A20X10G	PANG3A22X10G	10
	Black	PANG3A08X10BL	PANG3A10X10BL	PANG3A11X10BL	PANG3A12X10BL	PANG3A15X10BL	PANG3A18X10BL	PANG3A20X10BL	PANG3A22X10BL	10

Polyurethane Aluminium Movement Joints - 3metre

- Prefabricated movement joint designed to allow for expansion and contraction of floor tiles
- Polyurethane insert available in both grey and black. Other colours available on request
- Shore hardness of 45
- Aluminium angles protect edge of tiles from damage
- Installed over construction joints
- Conforms with Australian Standard AS 3958



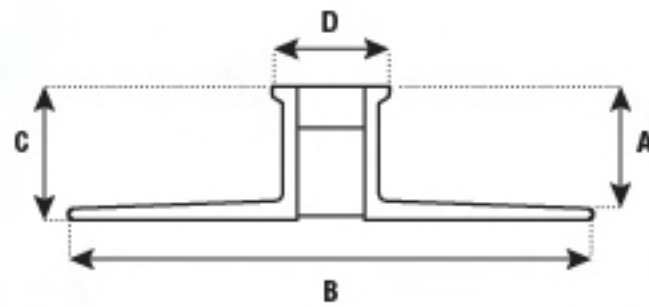
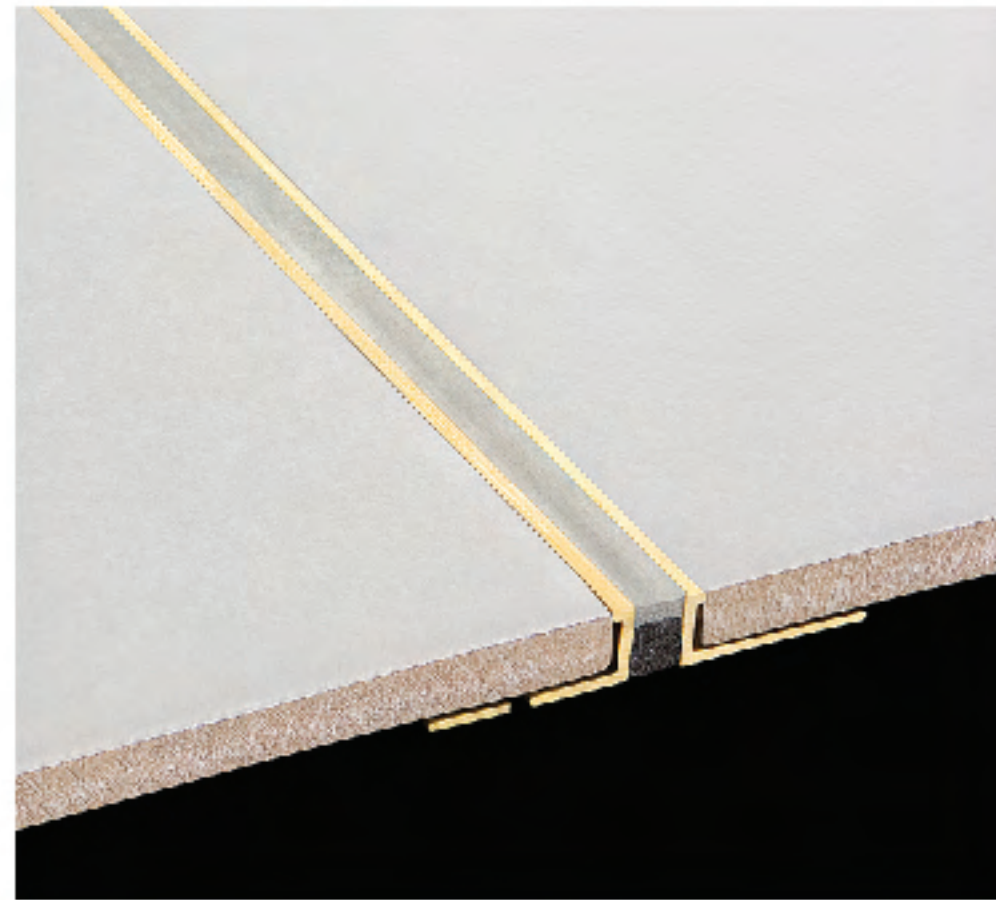
Size A	B	C	D (6mm)
8mm	52mm	9.2mm	11mm
10mm	52mm	11.2mm	11mm
12.5mm	52mm	13.7mm	11mm
15mm	52mm	16.2mm	11mm
18.5mm	52mm	19.7mm	11mm
22mm	52mm	22.5mm	11mm

ALLOY: 6063		TEMPER: T5									
CHEMICAL CONTENT											
STANDARD	SILICONE (%)	IRON (%)	COPPER (%)	MANGANESE (%)	MAGNESIUM (%)	CHROMIUM (%)	ZINC (%)	TITANIUM (%)	OTHER (each 0.00%) (%)	ALUMINIUM (%)	
(DIN93) EN 573-3:1994 (DIN93) EN 755-2:1997	0.20-0.80	0.35	0.1	0.1	0.45-0.90	0.1	0.1	0.1	0.15	Rem	
MECHANICAL PROPERTY											
STANDARD	DIMENSION (mm)	0.2% Proof Stress minimum (N/mm ²)	Tensile Strength minimum (N/mm ²)	Elongation (%)	Elongation on 50mm (%)						
(DIN93) EN 573-3:1994 (DIN93) EN 755-2:1997	≤ 3	130	175	8	6						
	3≤ 25	110	160	7	5						

6mm wide		8mm	10mm	12.5mm	15mm	18.5mm	22mm	Pk Qty
Colour		Code	Code	Code	Code	Code	Code	
	Grey	PACG3A08X6G	PACG3A10X6G	PACG3A12X6G	PACG3A15X6G	PACG3A18X6G	PACG3A22X6G	10
	Black	PACG3A08X6BL	PACG3A10X6BL	PACG3A12X6BL	PACG3A15X6BL	PACG3A18X6BL	PACG3A22X6BL	10

Polyurethane Brass Movement Joints - 3metre

- Prefabricated movement joint designed to allow for expansion and contraction of floor tiles
- Polyurethane insert available in both grey and black. Other colours available on request
- Shore hardness of 45
- Brass angles protect edge of tiles from damage
- Installed over construction joints
- Conforms with Australian Standard AS 3958



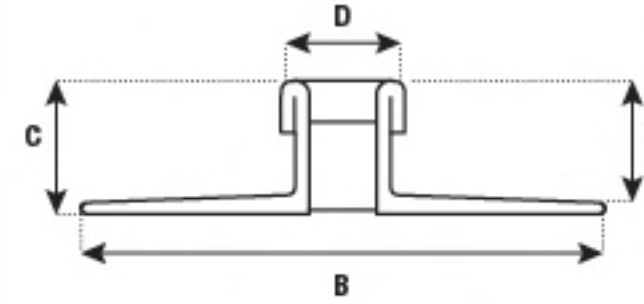
Size A	B	C	D (6mm)
8mm	52mm	9.2mm	11mm
10mm	52mm	11.2mm	11mm
12.5mm	52mm	13.7mm	11mm
15mm	52mm	16.2mm	11mm
18.5mm	52mm	19.7mm	11mm
22mm	52mm	22.5mm	11mm

CHEMICAL CONTENT								
STANDARD	COPPER (%)	IRON (%)	LEAD (%)	MANGANESE (%)	TIN (%)	NICKEL (%)	ALUMINIUM (%)	ZINC (%)
AS1587	57.2	0.3	2.17	0.01	0.38	0.19	0.45	Rem.
MECHANICAL PROPERTY								
STANDARD	Tensile Strength minimum (Mpa)				Elongation (%)			
AS1587	64.38				12			

6mm wide		8mm	10mm	12.5mm	15mm	18.5mm	22mm	Pk Qty
Colour		Code	Code	Code	Code	Code	Code	
	Grey	PACG3B08X6G	PACG3B10X6G	PACG3B12X6G	PACG3B15X6G	PACG3B18X6G	PACG3B22X6G	10
	Black	PACG3B08X6BL	PACG3B10X6BL	PACG3B12X6BL	PACG3B15X6BL	PACG3B18X6BL	PACG3B22X6BL	10

Polyurethane Stainless Steel Movement Joints - 3metre

- Prefabricated movement joint allows for the expansion and contraction of floor tiles
- Polyurethane insert comes in grey and black (Other colours are available on request)
- Shore hardness of 45
- 304 Grade Stainless Steel Angle
- Marine Grade 316L is also available on request
- Stainless Steel angles protect the edge of tiles from damage



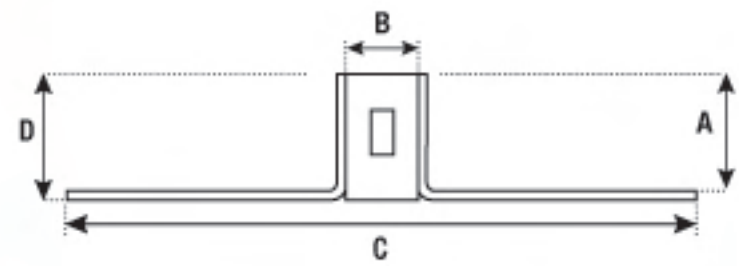
Size A	B	C	D (6mm)
8mm	52mm	9.2mm	10mm
10mm	52mm	11.2mm	10mm
12mm	52mm	13.7mm	10mm

CHEMICAL CONTENT (304 Grade)								
STANDARD	CARBON C (%)	MANGANESE Mn (%)	SILICON Si (%)	PHOSPHORUS P (%)	SULFUR S (%)	CHROMIUM Cr (%)	NICKEL Ni (%)	NITROGEN N (%)
ASTM A 240	0.08	2.0	0.75	0.045	0.030	18.0-20.0	8.0-10.5	0.10
MECHANICAL PROPERTY								
STANDARD	Tensile Strength minimum (MPa)			Yield Strength minimum (MPa)		Elongation (%)		
ASTM A 240	515			205		40		

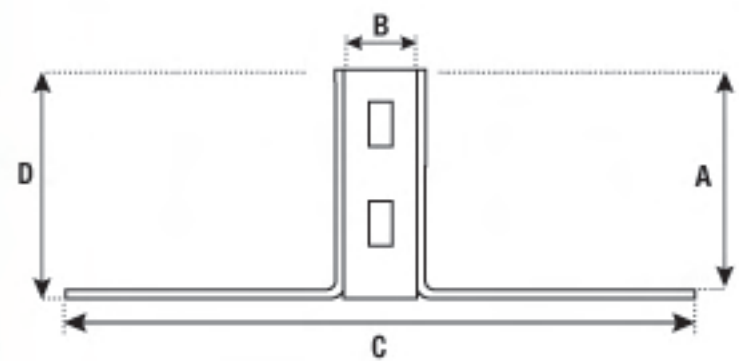
6mm wide		8mm	10mm	12mm	Pk Qty
Colour		Code	Code	Code	
	Grey	CGE3S408X6G	CGE3S410X6G	CGE3S412X6G	10
	Black	CGE3S408X6BL	CGE3S410X6BL	CGE3S412X6BL	10

Neoprene Stainless Steel Movement Joints - 3metre

- Prefabricated movement joint allows for the expansion and contraction of floor tiles
- Neoprene insert available in both grey and black
- Available in both 304 and 316 Marine grade
- Stainless steel angle protects the edge of the tiles from damage
- Special order product



Size A	B	C	D
10mm	6mm/10mm	54mm/58mm	10.8mm
12.5mm	6mm/10mm	54mm/58mm	13.3mm



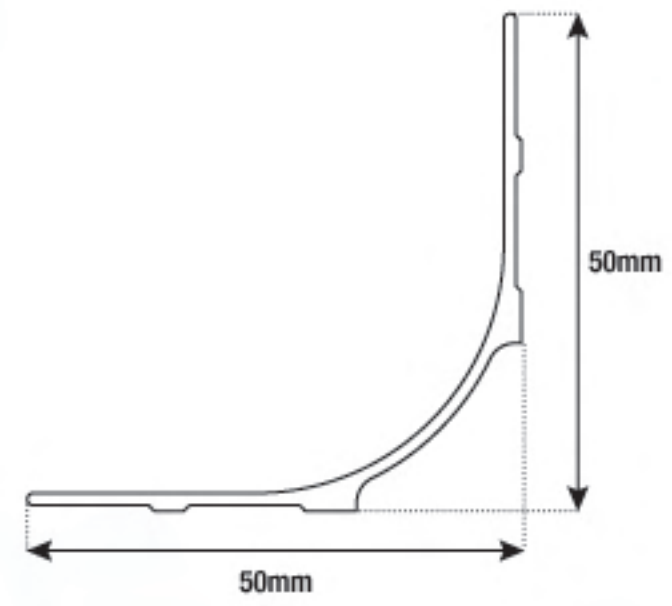
Size A	B	C	D
18.5mm	6mm/10mm	54mm/58mm	19.3mm

CHEMICAL CONTENT (304 Grade)									
STANDARD	CARBON C(%)	MANGANESE Mn(%)	SILICON Si(%)	PHOSPHORUS P(%)	SULFUR S(%)	CHROMIUM Cr(%)	NICKEL Ni(%)	NITROGEN N(%)	
ASTM A 240	0.08	2.0	0.75	0.045	0.030	18.0-20.0	8.0-10.5	0.10	
MECHANICAL PROPERTY									
STANDARD	Tensile Strength minimum(MPa)		Yield Strength minimum(MPa)		Elongation (%)				
ASTM A 240	515		205		40				
CHEMICAL CONTENT (316 Grade)									
STANDARD	CARBON C(%)	MANGANESE Mn(%)	SILICON Si(%)	PHOSPHORUS P(%)	SULFUR S(%)	CHROMIUM Cr(%)	MOYBDENUM Mo(%)	NICKEL Ni(%)	NITROGEN N(%)
ASTM A 240	0.08	2.0	0.75	0.045	0.030	16.0-18.0	2.0-3.0	10.0-14.0	0.10
MECHANICAL PROPERTY									
STANDARD	Tensile Strength minimum(MPa)		Yield Strength minimum(MPa)		Elongation (%)				
ASTM A 240	515		205		40				

6mm wide		10mm	12mm	18mm	Pk Qty
Colour		Code	Code	Code	
	Grey (304 Grade)	PANS30410X06G	PANS30412X6G		10
	Black (304 Grade)	PANS30410X06BL			10
	Grey (316 Grade)	PANS31610X06G	PANS31612X6G		10
	Black (316 Grade)	PANS31610X6BL			10
10mm wide		10mm	12mm	18mm	Pk Qty
Colour		Code	Code	Code	
	Grey (304 Grade)	PANS30410X10G	PANS30412X10G	PANS30418X10G	10
	Black (304 Grade)	PANS30410X10BL			10
	Grey (316 Grade)	PANS31610X10G	PANS31612X10G	PANS31618X10G	10
	Black (316 Grade)	PANS31610X10BL	PANS31612X10BL		10

Aluminium All Purpose Cove Trim - 3.6metre

- Cove trim for wall and floor
- Installed after tiles have been laid
- 50mm radius for easy cleaning. (Conforms with Australian Standard for hygiene in kitchens and toilets)
- Available in a range of anodised and powder coated colours (Customised colours are available on request)

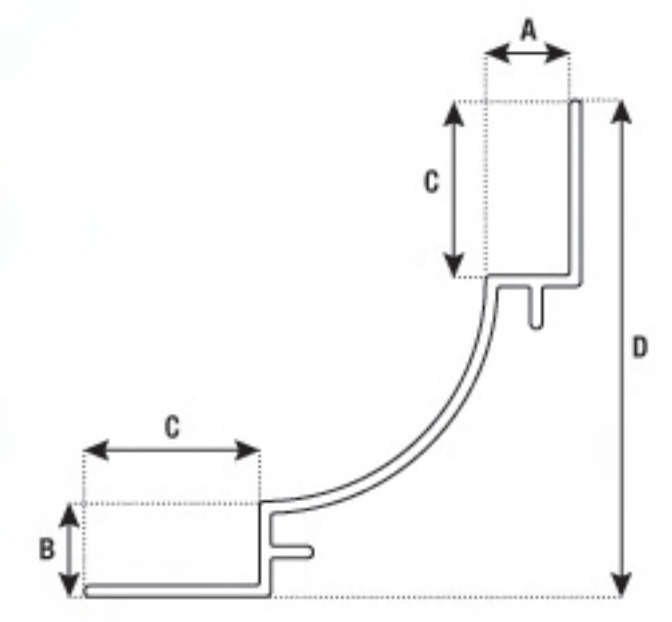


CHEMICAL CONTENT										
STANDARD	SILICONE (%)	IRON (%)	COPPER (%)	MANGANESE (%)	MAGNESIUM (%)	CHROMIUM (%)	ZINC (%)	TITANIUM (%)	OTHER (each 0.05% max)	ALUMINIUM (%)
(DIN) EN 573-2:1994 (DIN) EN 755-2:1997	0.20-0.60	0.35	0.1	0.1	0.45-0.80	0.1	0.1	0.1	0.15	Rem
MECHANICAL PROPERTY										
STANDARD	DIMENSION (mm)	0.2% Proof Stress minimum (N/mm ²)	Tensile Strength minimum (N/mm ²)	Elongation (%)	Elongation on 50mm (%)					
(DIN) EN 573-2:1994 (DIN) EN 755-2:1997	<=5 3-6x=25	130 110	175 180	8 7	8 5					

Colour	Code	Pk Qty	
	Plain	PAAPC60PL36	10
	Matt Silver	PAAPC60MS36	10
	Bright Silver	PAAPC60BS36	10
	Black	PAAPC60BL36	10
	White	PAAPC60W36	10

Aluminium Cove Trim - 3.6metre

- Cove trim for wall and floor tiles
- Creates a smooth transition between wall and floor
- 25.4mm radius for easy cleaning (Conforms with the Australian Standards for hygiene in kitchens and toilets)
- Available in a range of anodised and powder coated colours (Customised colours are available on request)



Size	A	B	C	D
8mm		10mm	22mm	60mm
10mm		10mm	22mm	60mm

ALLOY: 6063 TEMPER: T5

CHEMICAL CONTENT										
STANDARD	SILICON (%)	IRON (%)	COPPER (%)	MANGANESE (%)	MAGNESIUM (%)	CHROMIUM (%)	ZINC (%)	TITANIUM (%)	OTHER (each 0.05%) (%)	ALUMINIUM (%)
(DIN/ISO EN 573-3:1994) (DIN/ISO EN 755-2:1997)	0.25-0.80	0.35	0.1	0.1	0.45-0.90	0.1	0.1	0.1	0.15	Rem

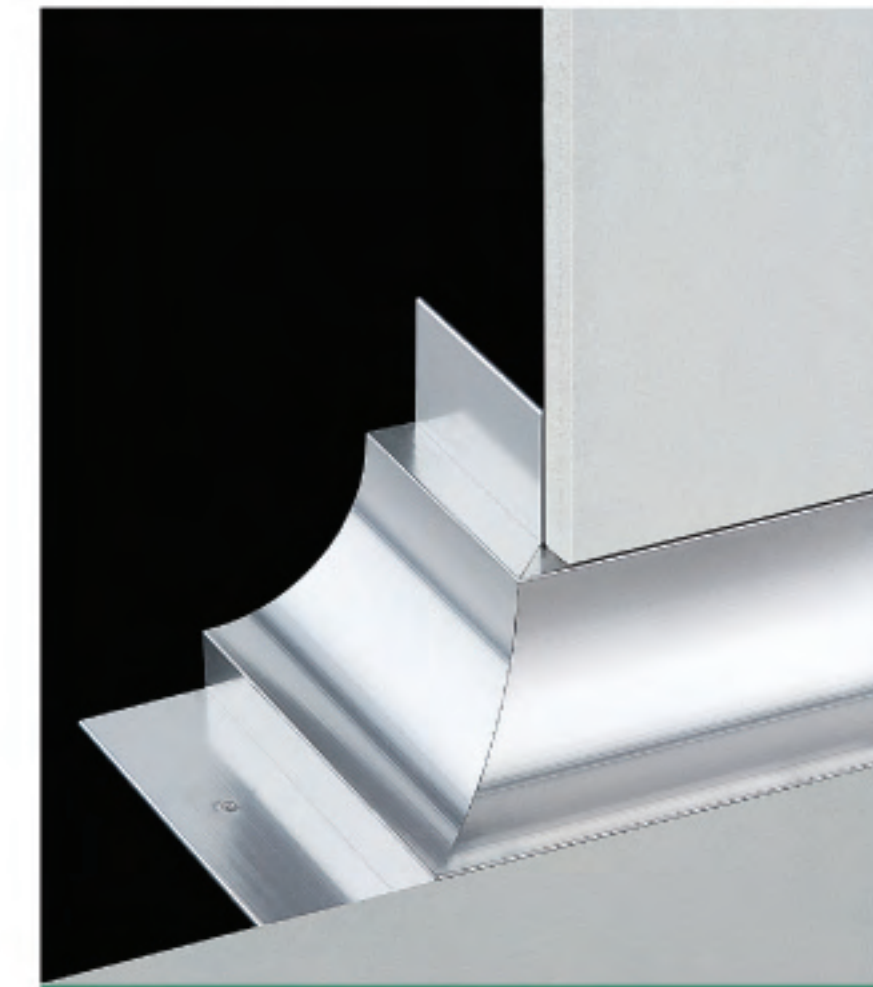
MECHANICAL PROPERTY					
STANDARD	DIMENSION (mm)	0.2% Proof Stress minimum (N/mm ²)	Tensile Strength minimum (N/mm ²)	Elongation (%)	Elongation on 50mm (%)
(DIN/ISO EN 573-3:1994) (DIN/ISO EN 755-2:1997)	t	130	175	8	6
	3t-25	110	160	7	5

3.6metre		10mm x 8mm	10mm x 10mm	Pk Qty
Colour		Code	Code	
Plain		PACT36PL10X8	PACT36PL10X10	10
Matt Silver		PACT36MS10X8	PACT36MS10X10	10
Bright Silver		PACT36BS10X8	PACT36BS10X10	10
White		PACT36W10X8	PACT36W10X10	10

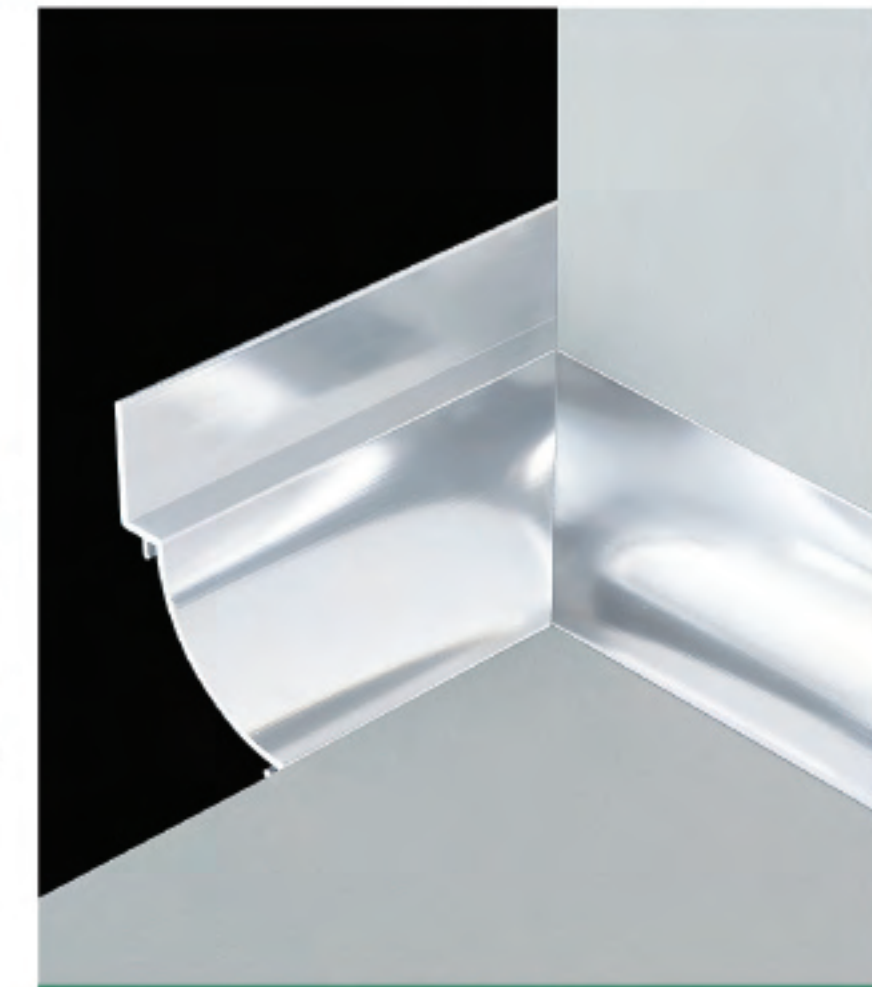
Joiners Available		
Colour	Code	Pk Qty
Plain	ALBTJ	5

Aluminium Cove Trim Corners

- Internal and external corners to suit both the 10mm x 8mm cove and the 10mm x 10mm cove
- Available in a range of anodised and powder coated colours (Customised colours available on request)



External Corner Trim



Internal Corner Trim

External		10mm x 8mm	10mm x 10mm	Pk Qty
Colour		Code	Code	
Plain		PAECPL10X8	PAECPL10X10	5
Matt Silver		PAECMS10X8	PAECMS10X10	5
Bright Silver		PAECBS10X8	PAECBS10X10	5
White		PAECW10X8	PAECW10X10	5

Internal		10mm x 8mm	10mm x 10mm	Pk Qty
Colour		Code	Code	
Plain		PAICPL10X8	PAICPL10X10	5
Matt Silver		PAICMS10X8	PAICMS10X10	5
Bright Silver		PAICBS10X8	PAICBS10X10	5
White		PAICW10X8	PAICW10X10	5

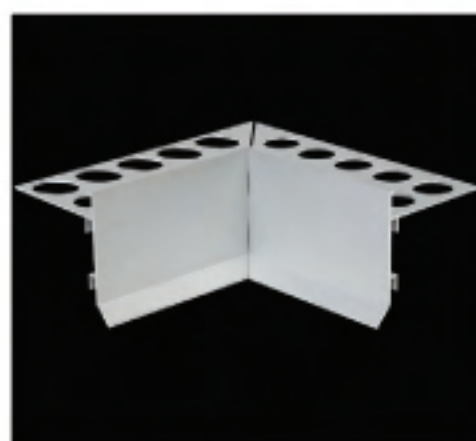
Joiners Available		
Colour	Code	Pk Qty
Plain	ALBTJ	5

Balcony Trim and Corners

- Balcony trim has been designed to stop watermarks forming on balcony fascias
- The lip design at the bottom of the trim stops any water from running down the fascia
- Ideal for domestic or commercial applications
- Available in 3metre lengths with internal and external corners
- The patented joining system makes for easy installation



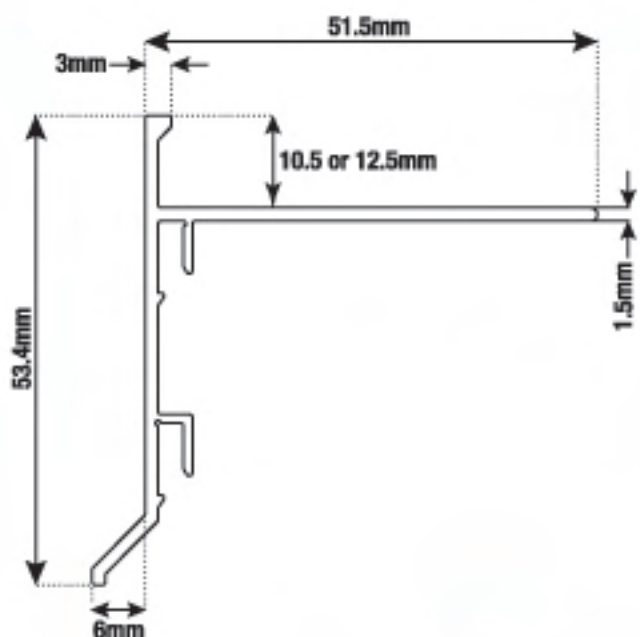
Balcony Trim



Internal Corner Trim



External Corner Trim



10mm		10mm x 3m		Internal Corner - 10mm		External Corner - 10mm	
Colour		Code	Pk Qty	Code	Pk Qty	Code	Pk Qty
	Plain	ALBT3.10	10	ALBTIC10	5	ALBTEC10	5
	Matt Silver	ALBT3.10MS	10	ALBTIC10MS	5	ALBTEC10MS	5
	Black	ALBT3.10BK	10				
	Surfmist	ALBT3.10SM	10	ALBTIC10SM	5	ALBTEC10SM	5

12mm		12mm x 3m		Internal Corner - 12mm		External Corner - 12mm	
Colour		Code	Pk Qty	Code	Pk Qty	Code	Pk Qty
	Plain	ALBT3.12	10	ALBTIC12	5	ALBTEC12	5
	Matt Silver	ALBT3.12MS	10	ALBTIC12MS	5	ALBTEC12MS	5
	Black	ALBT3.12BK	10				
	Surfmist	ALBT3.12SM	10	ALBTIC12SM	5	ALBTEC12SM	5

Joiners Available

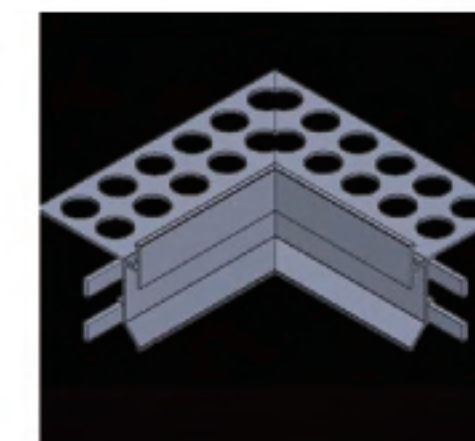
Colour	Code	Pk Qty
	ALBTJ	5

Balcony Trim with Weep Holes - 3metre

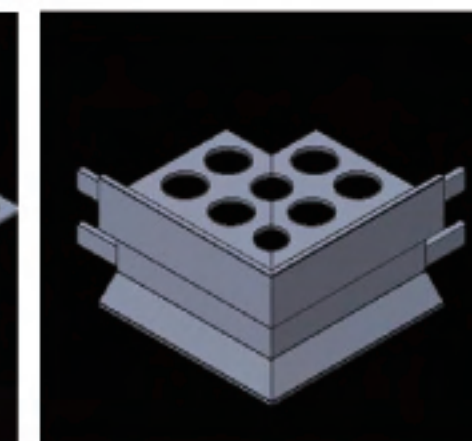
- Weep holes are located every 300mm
- Internal & External Corners Available
- Ideal for creating a stylish and professional finish
- The lip design at the bottom of the trims stops any water dripping onto the fascia
- Balcony trim has been designed to stop watermarks forming on balcony fascias



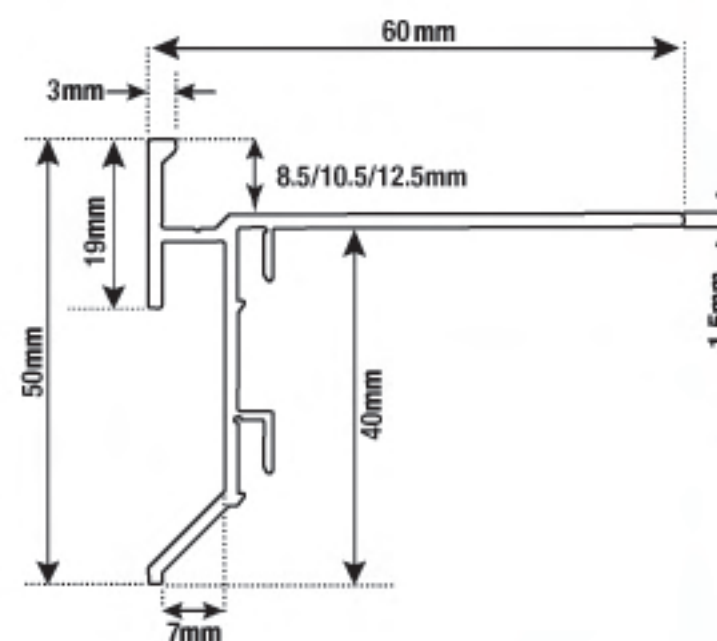
Balcony Trim



Internal Corner Trim



External Corner Trim



8mm		8mm x 3m		Internal Corner - 8mm		External Corner - 8mm	
Colour		Code	Pk Qty	Code	Pk Qty	Code	Pk Qty
	Plain	ALBTW3.08	5	ALBTWIC08	5	ALBTWEC08	5
	Matt Silver	ALBTW3.08MS	5	ALBTWIC08MS	5	ALBTWEC08MS	5
	Surfmist	ALBTW3.08SM	5				

10mm		10mm x 3m		Internal Corner - 10mm		External Corner - 10mm	
Colour		Code	Pk Qty	Code	Pk Qty	Code	Pk Qty
	Plain	ALBTW3.10	5	ALBTWIC10	5	ALBTWEC10	5
	Matt Silver	ALBTW3.10MS	5	ALBTWIC10MS	5	ALBTWEC10MS	5
	Black	ALBTW3.10BK	5				
	Surfmist	ALBTW3.10SM	5				

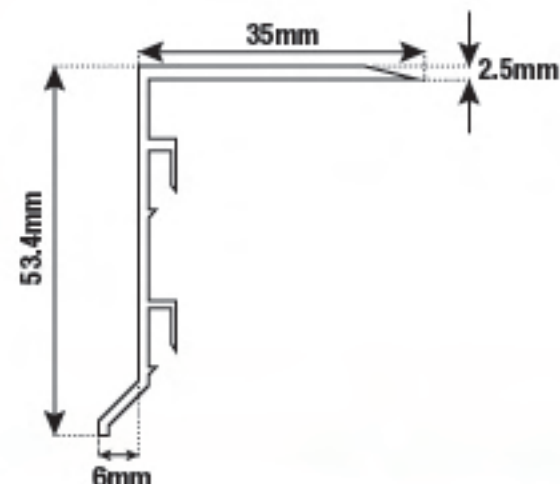
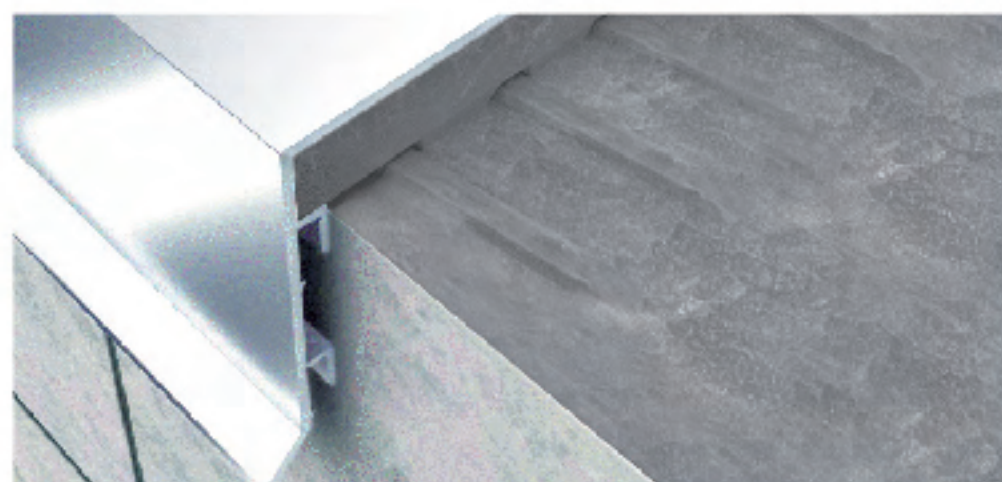
12mm		12mm x 3m		Internal Corner - 12mm		External Corner - 12mm	
Colour		Code	Pk Qty	Code	Pk Qty	Code	Pk Qty
	Plain	ALBTW3.12	5	ALBTWIC12	5	ALBTWEC12	5
	Matt Silver	ALBTW3.12MS	5	ALBTWIC12MS	5	ALBTWEC12MS	5
	Black	ALBTW3.12BK	5				
	Surfmist	ALBTW3.12SM	5				

Joiners Available

Colour	Code	Pk Qty
	ALBTJ	5

Retro Balcony Trim - 3metre

- Balcony trim has been designed to stop watermarks forming on balcony fascias
- Retro fits to already completed balconies
- The lip design at the bottom of the trim stops any water from running down the fascia
- Ideal for domestic or commercial applications



ALLOY: 6063 TEMPER: T5

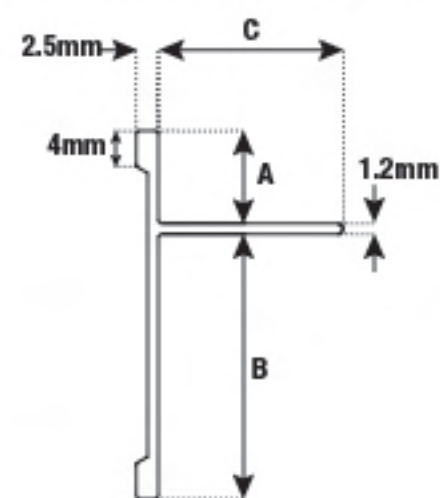
CHEMICAL CONTENT										
STANDARD	SILICONE (%)	IRON (%)	COPPER (%)	MANGANESE (%)	MAGNESIUM (%)	CHROMIUM (%)	ZINC (%)	TITANIUM (%)	OTHER (each 0.05%) (%)	ALUMINIUM (%)
(DIN/ISO) EN 573-3:1994 (DIN/ISO) EN 755-2:1997	0.20-0.60	0.35	0.1	0.1	0.45-0.90	0.1	0.1	0.1	0.15	Rem

MECHANICAL PROPERTY					
STANDARD	DIMENSION (mm)	0.2% Proof Stress minimum (N/mm ²)	Tensile Strength minimum (N/mm ²)	Elongation (%)	Elongation on 50mm (%)
(DIN/ISO) EN 573-3:1994 (DIN/ISO) EN 755-2:1997	≤ 3	130	175	8	8
	$3 < \text{thick} < 25$	110	160	7	5

Colour	35mm x 3m		Internal Corner - 35mm		External Corner - 35mm	
	Code	Pk Qty	Code	Pk Qty	Code	Pk Qty
Plain	ALBTA3.35	10	ALBTAIC35	5	ALBTAEC35	5
Matt Silver	ALBTA3.35MS	10	ALBTAIC35MS	5	ALBTAEC35MS	5

Light Balcony Trim - 3metre

- Balcony trim has been designed to stop watermarks forming on balcony fascias
- The lip design at the bottom of the trim stops any water from running down the fascia
- Ideal for domestic or commercial applications



Size A	B	C
8mm	30mm	21mm
10.5mm	30mm	21mm
12.5mm	30mm	21mm

ALLOY: 6063 TEMPER: T5

CHEMICAL CONTENT										
STANDARD	SILICONE (%)	IRON (%)	COPPER (%)	MANGANESE (%)	MAGNESIUM (%)	CHROMIUM (%)	ZINC (%)	TITANIUM (%)	OTHER (each 0.05%) (%)	ALUMINIUM (%)
(DIN/ISO) EN 573-3:1994 (DIN/ISO) EN 755-2:1997	0.20-0.60	0.35	0.1	0.1	0.45-0.90	0.1	0.1	0.1	0.15	Rem

MECHANICAL PROPERTY					
STANDARD	DIMENSION (mm)	0.2% Proof Stress minimum (N/mm ²)	Tensile Strength minimum (N/mm ²)	Elongation (%)	Elongation on 50mm (%)
(DIN/ISO) EN 573-3:1994 (DIN/ISO) EN 755-2:1997	≤ 3	130	175	8	8
	$3 < \text{thick} < 25$	110	160	7	5

Colour	8mm	10mm	12.5mm	Pk Qty
	Code	Code	Code	
Plain	ABTE3.0830	ABTE3.1030	ABTE3.1230	5
Matt Silver	ABTE3.0830MS	ABTE3.1030MS	ABTE3.1230MS	5

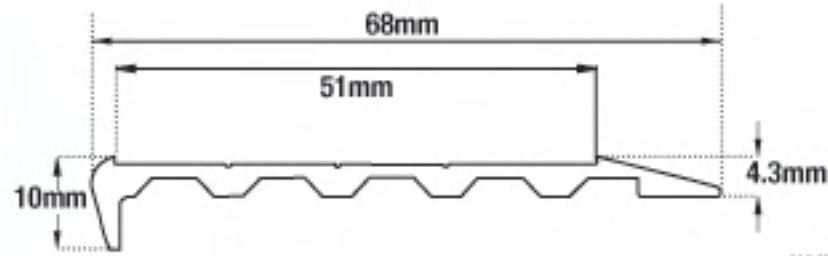
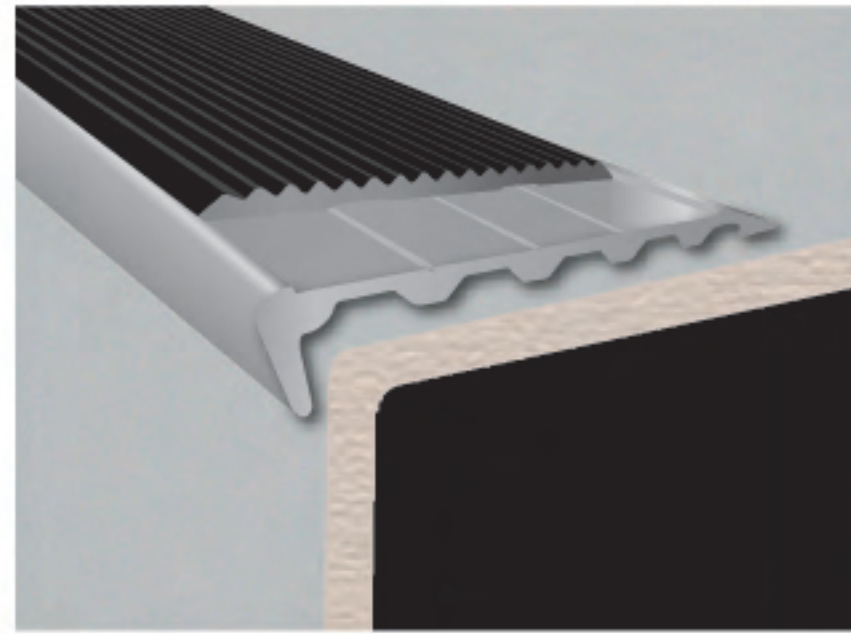


STAIR EDGE TRIMS

DTA stair edge trims are designed for the protection of stair edges in both the residential and commercial markets. Easily applied over carpet, timber, tile or vinyl.

Aluminium Stair Nosing

- Nosing for stair edging
- Screws countersunk and recessed beneath insert
- Suitable for both indoor and outdoor applications
- Profile designed to comply with the requirements of AS1428:2009
- Designed for use with 50mm insert
- Designed for use with Gecko Grip Tape or Aluminium Tread Plate insert (Sold Separately)
- Available in matt silver and black anodised finish
- Short nose



68mm WIDE | 3.0m LONG

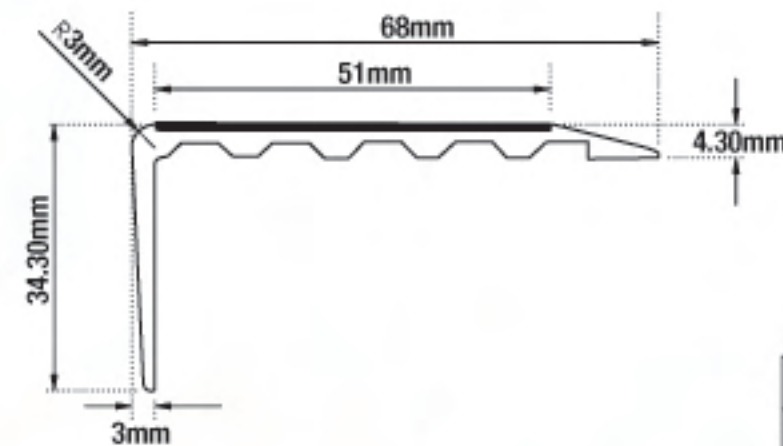
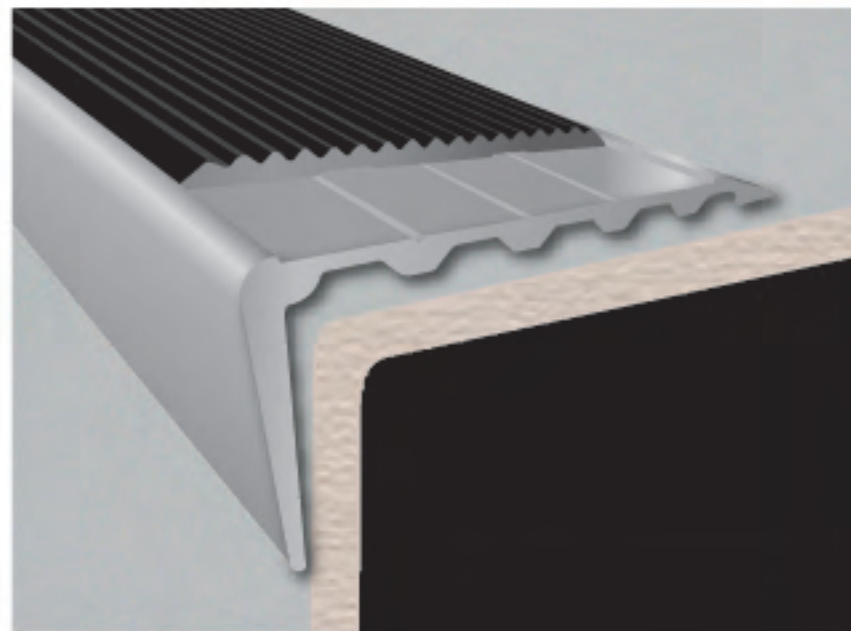
Colour	Code	Barcode	Pk Qty
Matt Silver	ASNP3.68MS	9314942684497	5
Black	ASNP3.68BK	9314942684503	5

ALLOY: 6063 TEMPER: T5

CHEMICAL CONTENT										
STANDARD	SILICONE (%)	IRON (%)	COPPER (%)	MANGANESE (%)	MAGNESIUM (%)	CHROMIUM (%)	ZINC (%)	TITANIUM (%)	OTHER (each 0.05%) (%)	ALUMINIUM (%)
(DIN/ISO EN 573-3:1994) (DIN/ISO EN 755-2:1997)	0.20-0.80	0.35	0.1	0.1	0.45-0.90	0.1	0.1	0.1	0.15	Rem
MECHANICAL PROPERTY										
STANDARD	DIMENSION (mm)	0.2% Proof Stress minimum (N/mm ²)	Tensile Strength minimum (N/mm ²)	Elongation (%)	Elongation on 50mm (%)					
(DIN/ISO EN 573-3:1994) (DIN/ISO EN 755-2:1997)	t	130	175	8	6					
	$3 < t < 25$	110	160	7	5					

Aluminium Stair Nosing Long Riser

- Nosing for stair edging
- Screws countersunk and recessed beneath insert
- Suitable for both indoor and outdoor applications
- Designed for use with 50mm insert
- Designed for use with Gecko Grip Tape or Aluminium Tread Plate insert (Sold Separately)
- Available in matt silver and black anodised finish
- Long nose



68mm WIDE | 3.0m LONG

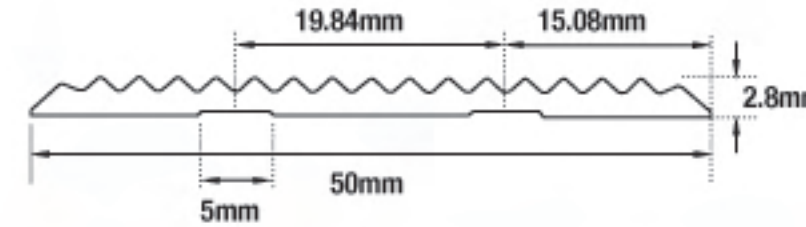
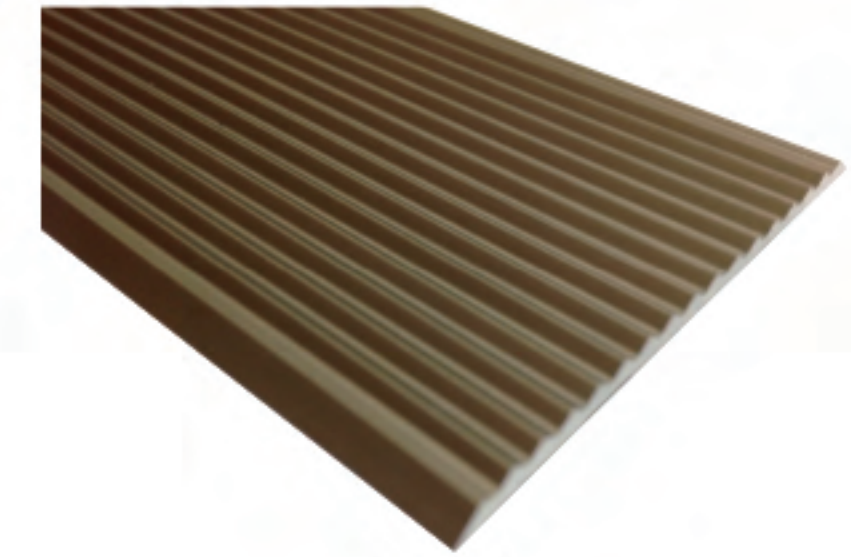
Colour	Code	Barcode	Pk Qty
Matt Silver	ASNPL3.68MS	9314942685050	5
Black	ASNPL3.68BK	9314942685067	5

ALLOY: 6063 TEMPER: T5

CHEMICAL CONTENT										
STANDARD	SILICONE (%)	IRON (%)	COPPER (%)	MANGANESE (%)	MAGNESIUM (%)	CHROMIUM (%)	ZINC (%)	TITANIUM (%)	OTHER (each 0.05%) (%)	ALUMINIUM (%)
(DIN/ISO EN 573-3:1994) (DIN/ISO EN 755-2:1997)	0.20-0.80	0.35	0.1	0.1	0.45-0.90	0.1	0.1	0.1	0.15	Rem
MECHANICAL PROPERTY										
STANDARD	DIMENSION (mm)	0.2% Proof Stress minimum (N/mm ²)	Tensile Strength minimum (N/mm ²)	Elongation (%)	Elongation on 50mm (%)					
(DIN/ISO EN 573-3:1994) (DIN/ISO EN 755-2:1997)	t	130	175	8	6					
	$3 < t < 25$	110	160	7	5					

Aluminium Tread Plate

- Nosing for stair edging
- Supplied in 3m lengths
- Can be used in conjunction with ASNP or ASNPL Stair Nosing
- Profile designed to comply with the requirements of AS1428:2009
- Tested to slip resistance standard AS 4586:2013 with a slip resistance rating of P4



50mm WIDE | 3.0m LONG

Colour	Code	Barcode	Pk Qty
Matt Silver	ASNPI3.50MS	9314942685029	5
Matt Bronze	ASNPI3.50MB	9314942685043	5
Black	ASNPI3.50BK	9314942685036	5

50mm Gecko Grip Tape

- Designed to provide a safe, non-slip surface under shoe traffic to prevent unnecessary slips and falls
- Strong PET backing filled with a gritty mineral abrasive to create traction
- PET backing is stronger and more durable than those with a PVC backing
- UV Properties
- Indoor and Outdoor Use
- Carbide 60 Grit
- Easily adheres to most surfaces
- Tested to slip resistance standard AS 4586:2013 with a slip resistance rating of P5



50mm WIDE | 3.0m LONG

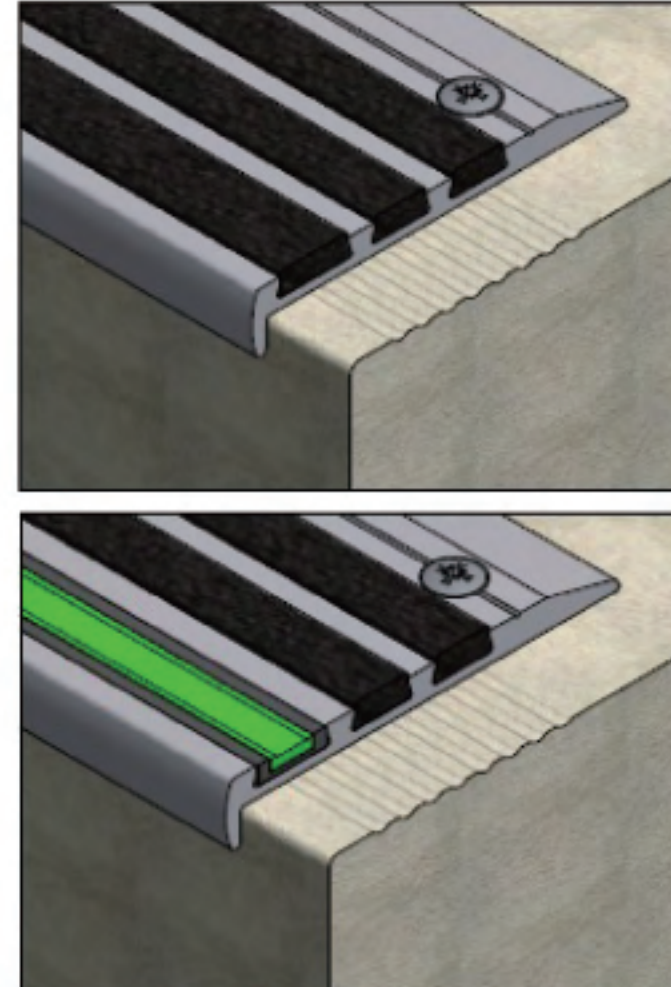
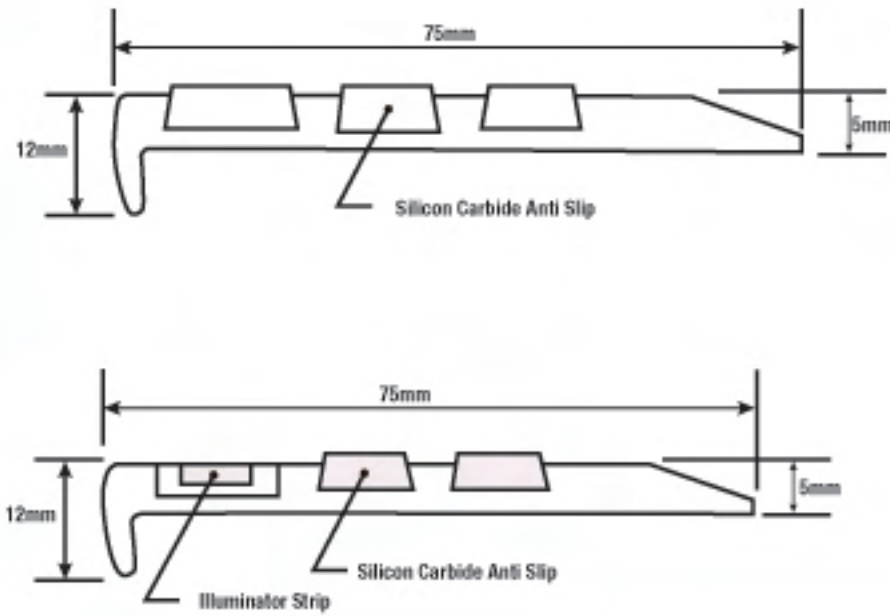
Colour	Code	Barcode	Pk Qty
Yellow	ASAT50X3Y	9314942683995	12
Clear	ASAT50X3C	9314942684015	12
Black	ASAT50X3B	9314942684008	12



All Weather Stair Nose



- Designed for outdoor and rugged applications
- Water-proof
- Engraved with high slip resistant silicone carbide
- Illumination strip (ASN-7512I)
- Ideal for demanding environments

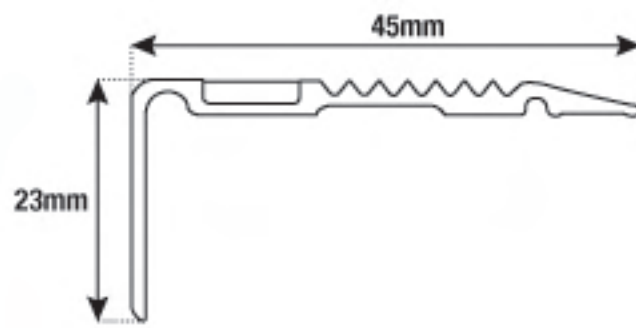


Colour	Size	Code	Pk Qty
Matt Silver	3m x 75mm x 12mm	ASN-7512	10
Matt Silver with Illumination	3m x 75mm x 12mm	ASN-7512I	10

Aluminium Illuminated Stair Tread



- High strength aluminium
- Anti-slip tread pattern
- Illumination strip for safety once lights have been turned off
- UV stable
- Adhesive fixing



ALLOY: 6063 TEMPER: T5

CHEMICAL CONTENT										
STANDARD	SILICONE (%)	IRON (%)	COPPER (%)	MANGANESE (%)	MAGNESIUM (%)	CHROMIUM (%)	ZINC (%)	TITANIUM (%)	OTHER (each 0.00%) (%)	ALUMINIUM (%)
(DIN/BS EN 573-3:1994) (DIN/BS EN 755-2:1997)	0.20-0.80	0.35	0.1	0.1	0.45-0.90	0.1	0.1	0.1	0.15	Rem

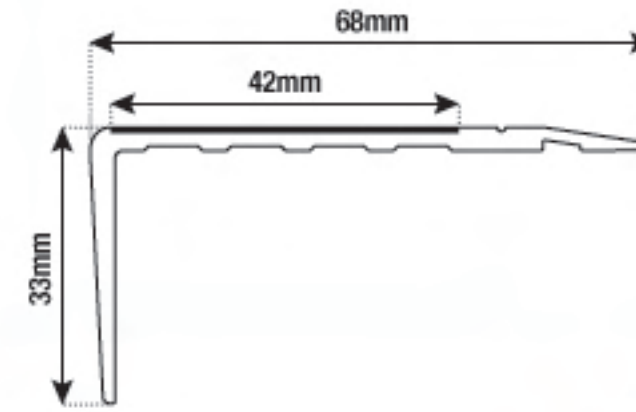
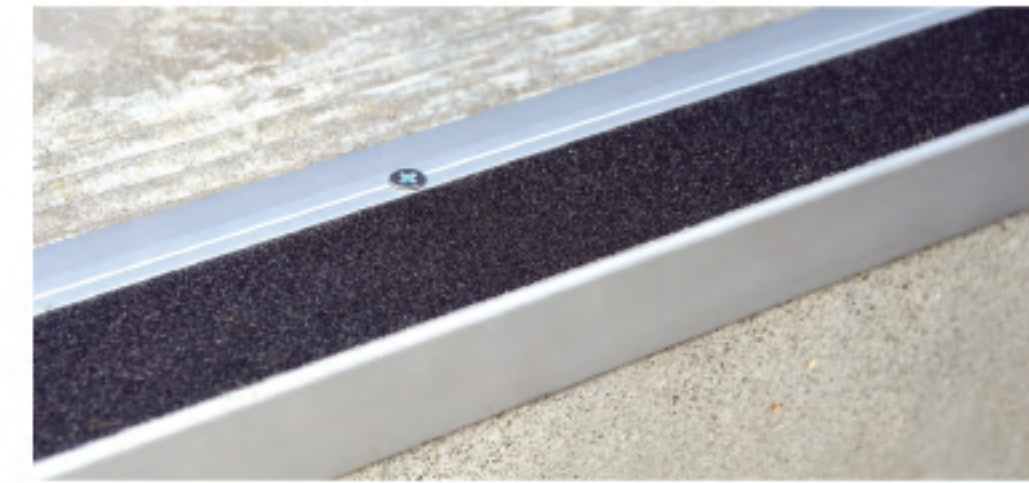
MECHANICAL PROPERTY					
STANDARD	DIMENSION (mm)	0.2% Proof Stress minimum (N/mm ²)	Tensile Strength minimum (N/mm ²)	Elongation (%)	Elongation on 50mm (%)
(DIN/BS EN 573-3:1994) (DIN/BS EN 755-2:1997)	<=3	130	175	8	6
	3<=l<=25	110	160	7	5

Colour	Size	Code	Pk Qty
Matt Silver	1m x 45mm	AST1.45MSAI	10
Matt Silver	3m x 45mm	AST3.45MSAI	10

Commercial Aluminium Stair Tread



- Utilises high strength, heat treated aluminium alloy for extra durability
- Heavy duty design with anti slip tread for commercial stairways
- Suitable for both indoor and outdoor applications
- UV and water resistant
- Complies with Safety Standard AS/NZ 4586



ALLOY: 6063 TEMPER: T5

CHEMICAL CONTENT										
STANDARD	SILICONE (%)	IRON (%)	COPPER (%)	MANGANESE (%)	MAGNESIUM (%)	CHROMIUM (%)	ZINC (%)	TITANIUM (%)	OTHER (each 0.00%) (%)	ALUMINIUM (%)
(DIN/BS EN 573-3:1994) (DIN/BS EN 755-2:1997)	0.20-0.80	0.35	0.1	0.1	0.45-0.90	0.1	0.1	0.1	0.15	Rem

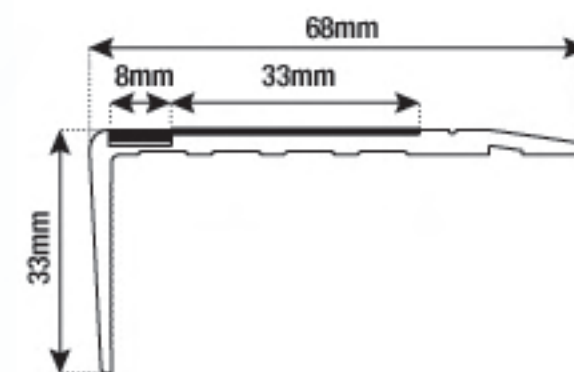
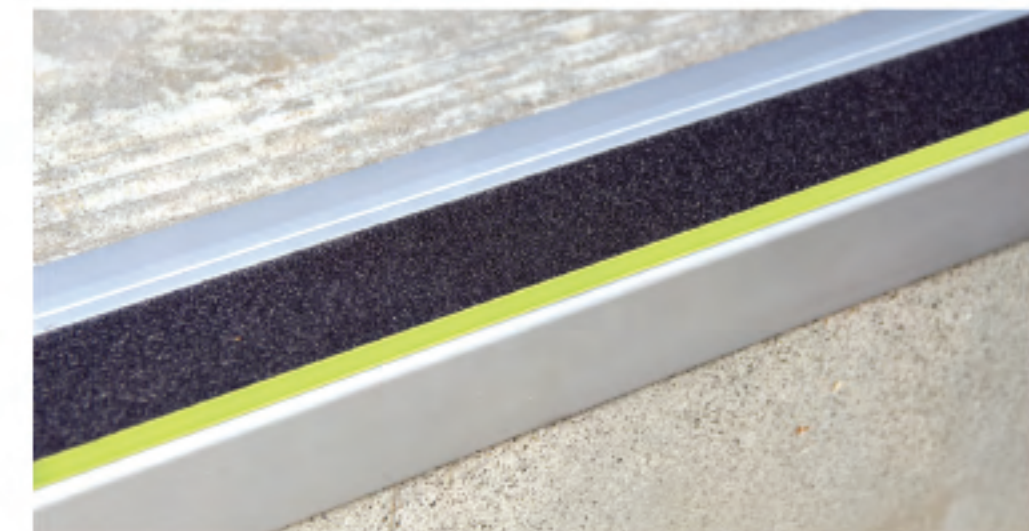
MECHANICAL PROPERTY					
STANDARD	DIMENSION (mm)	0.2% Proof Stress minimum (N/mm ²)	Tensile Strength minimum (N/mm ²)	Elongation (%)	Elongation on 50mm (%)
(DIN/BS EN 573-3:1994) (DIN/BS EN 755-2:1997)	<=3	130	175	8	6
	3<=l<=25	110	160	7	5

Colour	Size	Code	Pk Qty
Matt Silver	1m x 68mm	AST1.68MS	10
Matt Silver	3m x 68mm	AST3.68MS	10
Matt Silver with Adhesive	1m x 68mm	AST1.68MSA	10

Commercial Aluminium Stair Tread with Illumination



- Utilises high strength, heat treated aluminium alloy for extra durability
- Heavy duty design with anti slip tread for commercial stairways
- The illuminated strip allows for illumination of the trim when lights have been turned off
- Self adhesive for easy installation
- 30 minutes in the light allows for 7 hours of illumination
- Suitable for both indoor and outdoor applications
- UV and water resistant
- Complies with Safety Standard AS/NZ 4586



ALLOY: 6063 TEMPER: T5

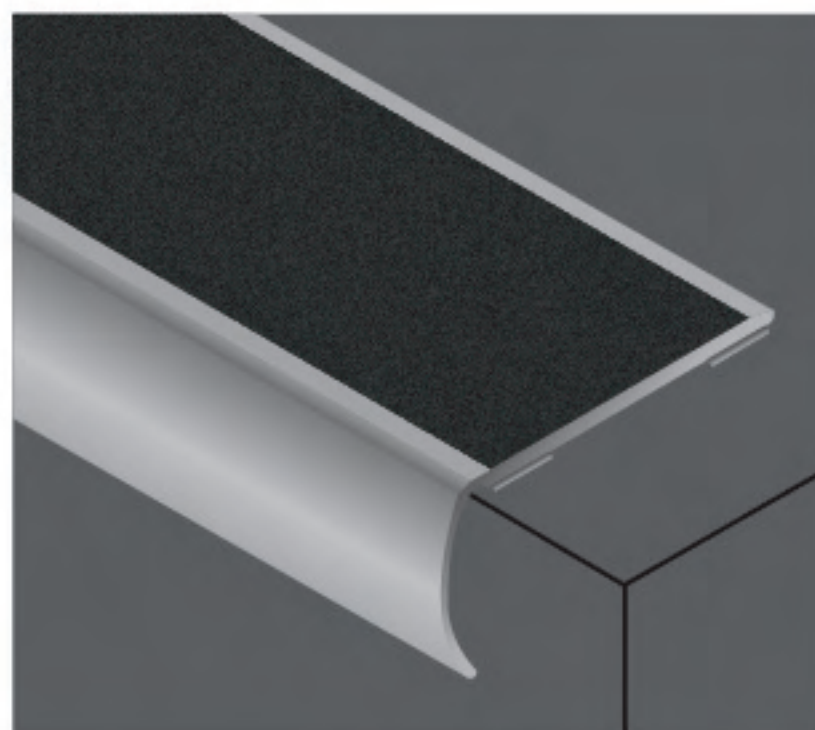
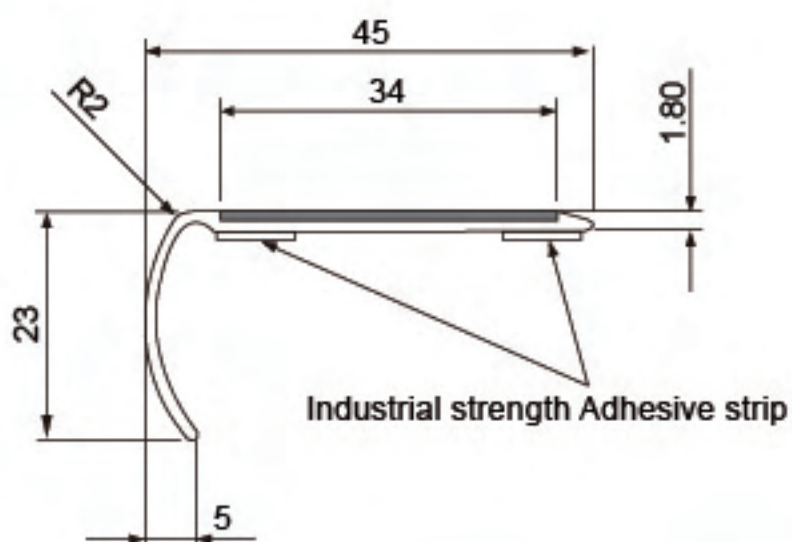
CHEMICAL CONTENT										
STANDARD	SILICONE (%)	IRON (%)	COPPER (%)	MANGANESE (%)	MAGNESIUM (%)	CHROMIUM (%)	ZINC (%)	TITANIUM (%)	OTHER (each 0.00%) (%)	ALUMINIUM (%)
(DIN/BS EN 573-3:1994) (DIN/BS EN 755-2:1997)	0.20-0.80	0.35	0.1	0.1	0.45-0.90	0.1	0.1	0.1	0.15	Rem

MECHANICAL PROPERTY					
STANDARD	DIMENSION (mm)	0.2% Proof Stress minimum (N/mm ²)	Tensile Strength minimum (N/mm ²)	Elongation (%)	Elongation on 50mm (%)
(DIN/BS EN 573-3:1994) (DIN/BS EN 755-2:1997)	<=3	130	175	8	6
	3<=l<=25	110	160	7	5

Colour	Size	Code	Pk Qty
Matt Silver	1m x 68mm	AST1.68MSAI	10
Matt Silver	3m x 68mm	AST3.68MSAI	10

Light Bullnose Trim

- Light Bullnose trim suited for step edges
- Offered in 1m and 3m lengths
- Available with yellow or black silicone carbide anti slip
- Comes with industrial strength adhesive tape for easy application
- Complies with slip resistance standard AS 4586



1.0m LONG

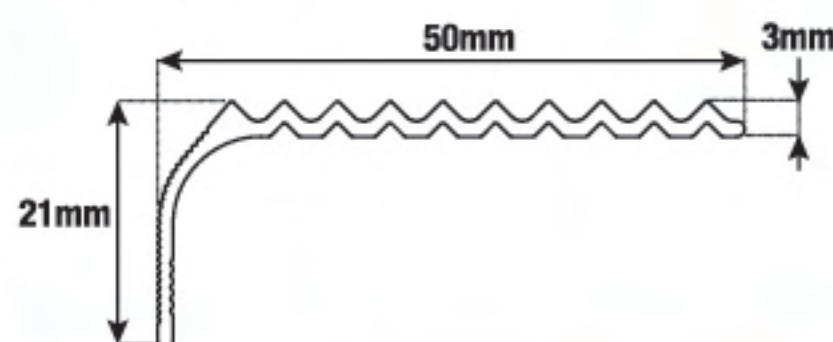
Colour	Code	Barcode	Pk Qty
Yellow	LBN1.45Y	9314292683384	5
Black	LBN1.45BL	9314942683407	5

3.0m LONG

Colour	Code	Barcode	Pk Qty
Yellow	LBN3.45Y	9314942683391	5
Black	LBN3.45BL	9314942683414	5

Stair Edge Trim

- Perfect for the protection of stairs
- 50mm tread to protect the carpet, vinyl, timber or tile edges
- Lengths available - 1m or 3m
- Available in Plain (mill finish)
- Screw and plug fixing



1.0m LONG

Colour	Code	Barcode	Pk Qty
Plain	ASTR50.1PL	9314942662631	5

3.0m LONG

Colour	Code	Barcode	Pk Qty
Plain	ASTR50.3PL	9314942662655	5



MERCHANDISING

To help you sell DTA, the strongest brand in the tiling tools and accessories market, we have a range of merchandising materials and modular stands. These help increase customer purchases and brand awareness. Call our customer service representatives to help you choose the products that will increase your DTA sales.

Tool Merchandising Stand

DIMENSIONS - 1m(W) x 2m(H)

- Neatly and conveniently displays tools in stores
- Can be individually tailored to suit store requirements



Product	Code	Pk Qty
Tool Stand	DTATD	1
Basket for Tools	DTATDB	1
Shelf for Stand	DTATDS	1
150mm Peg Board Hook with Flipper Tag	PBH150	1
250mm Peg Board Hook with Flipper Tag	PBH250	1
Trowel Rack 9 piece	DTATDTR	1

Trim Merchandising Stand

DIMENSIONS - 1m(W) x 2m(H)

- Neatly and efficiently displays PVC and metal trims in stores
- Can be individually tailored to suit store requirements



Product	Code	Pk Qty
Trim Stand	DTATD	1
Hanging Hooks for Trims	DTATDH	1
Trim Divider Brackets	DTATDHT	1

1 metre Tool and Trim Stand

DIMENSIONS - 1m(W) x 1.2m(H)

- Neatly and conveniently displays tile cutters in stores
- Can be individually tailored to suit store requirements



Product	Code	Pk Qty
1m Tool and Trim Stand	DTATD1M	1
Hanging Hooks for Trims	DTATDH	1
Basket for Tools	DTATDB	1
Trim Divider Brackets	DTATDHT	1
Shelf for 1m Stand	DTATDS	1
50mm Peg Board Hook with Flipper Tag	PBH150	1
250mm Peg Board Hook with Flipper Tag	PBH250	1
Trowel Rack 9 piece	DTATDTR	1

Commercial Trim Stand

Code: **DTATDCS**

Pk Qty: 1



DIMENSIONS - 1m(W) x 2.2m(H)

- Ideal for bulk storage of trims



Drill Bit Stand

Code: **DTADDS**

Pk Qty: 1



- Ideal for DCT range and DDB range
- Comes with 10 hooks
- Counter top stand
- Moveable hooks allows for flexibility in range displayed



Soap Holder Display Board

Code: **SHDBSH**

Pk Qty: 1



- Neatly and attractively displays soap holders in stores



Silicone Stand

Code: **DTASDS**

Pk Qty: 1



- 10 columns/tubes wide
- 12 tubes high
- Colour chart holder
- Display cards for colours



Hayman Long Drains Stand

Code: **DTADMS700**

Pk Qty: 1



- Suitable for Hayman Long drains range
- 300mm samples in four designs on stand
- Holds 2 of each drain size (600mm, 900mm and 1200mm) in each of the four designs
- Note: Long drains not included with stand





Trim Display Board

Code: DTATRIMDBC

Pk Qty: 1



- Neatly and attractively shows the styles, colours and designs of the DTA range of trims in stores



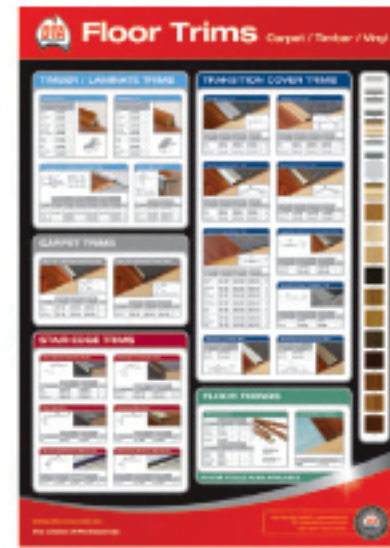
Floor Trim Display Board

Code: FTDB

Pk Qty: 1



- Neatly and attractively shows the styles, colours and designs of the DTA range of floor trims in stores

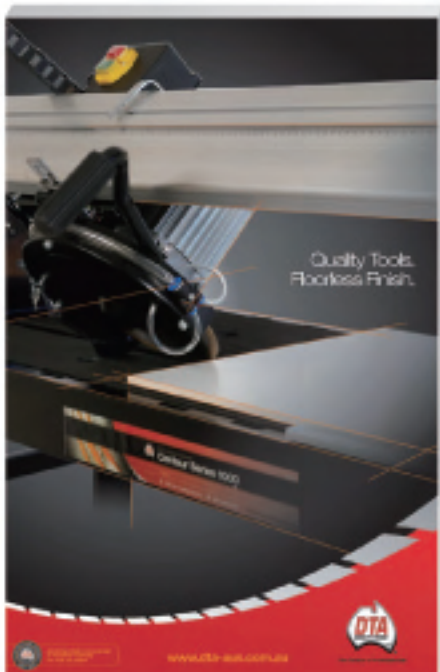
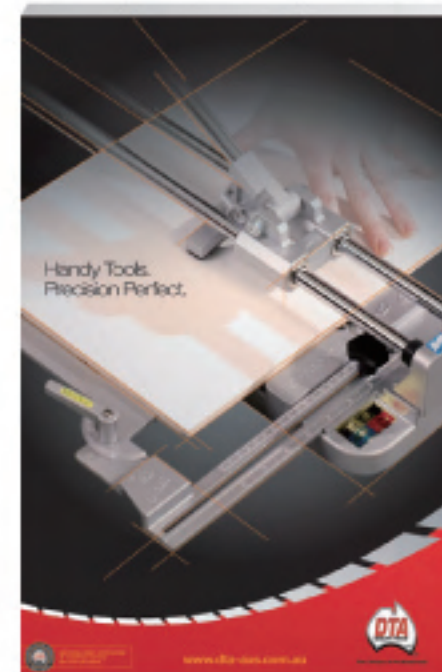
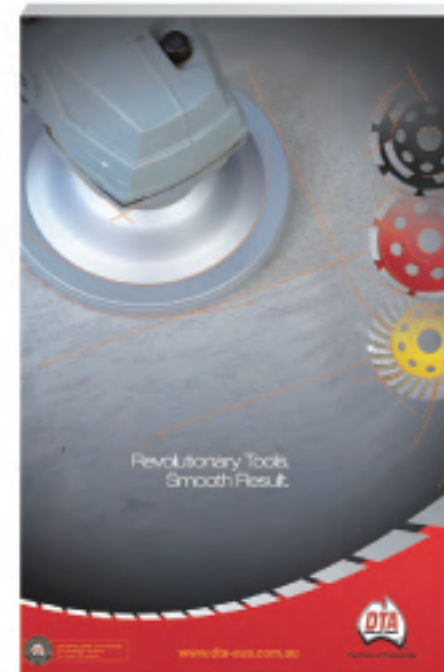


DTA Poster Boards

- 90cm x 60cm
- Available in 6 designs



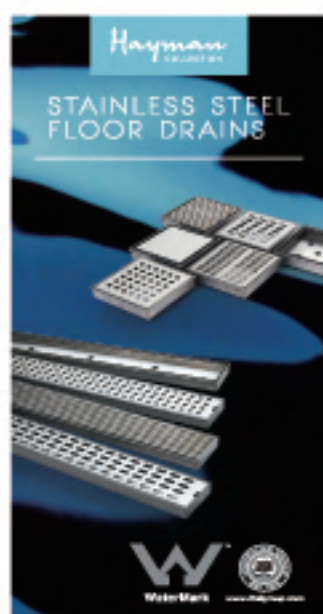
Product	Code	Pk Qty
We Proudly Recommend DTA	DTAPB01	1
Revolutionary Tools Smooth Result	DTAPB02	1
Handy Tools Precision Perfect	DTAPB03	1
Quality Tools Floorless Finish	DTAPB04	1
Lipage Levelling System	DTAPB05	1
Hayman Drains	DTAPB06	1



Catalogues



Brochures



MERCHANDISING

MARKETING MATERIAL