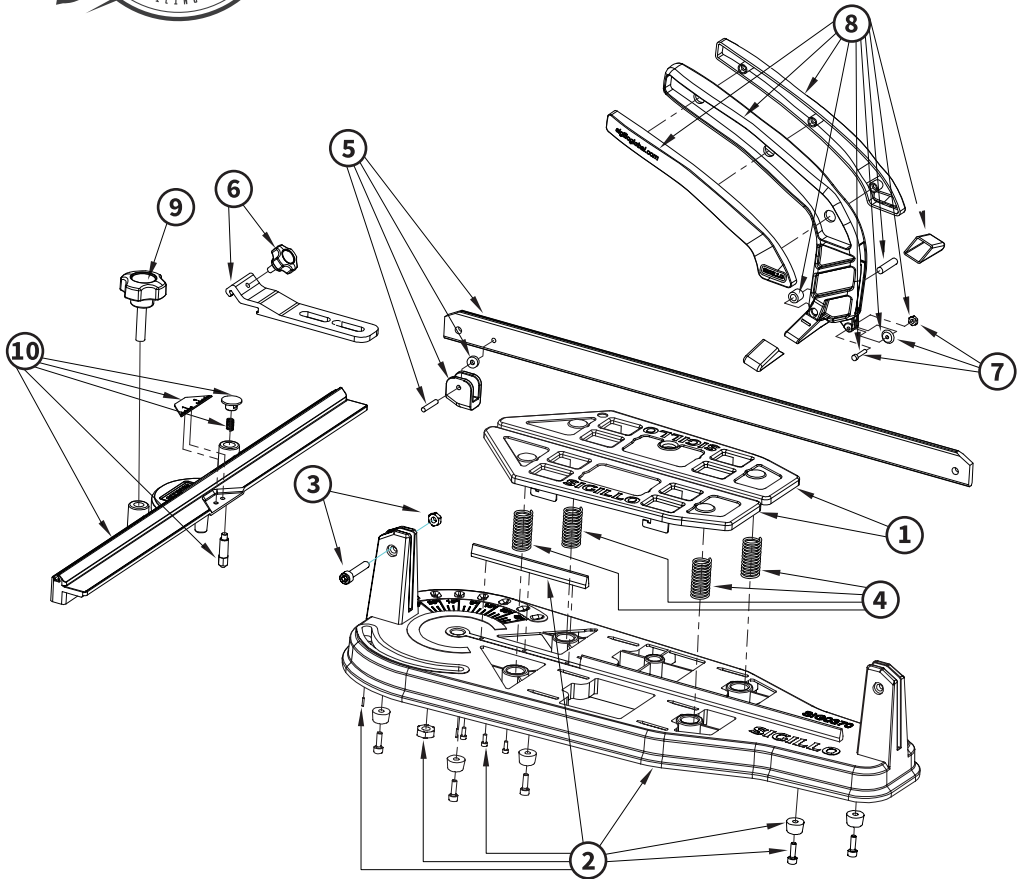




SIG0370

370 Master Tile Cutter



Number	Code	Description
1	SIG001	BASE PLATES
2	SIG002	BASE
3	SIG003	HEX BOLT AND NUT FOR RAIL
4	SIG004	PRESSURE SPRINGS X 4
5	SIG005	RAIL
6	SIG006	GUIDING RULE BAR
7	SIG007	TUNGSTEN CARBIDE SCORING WHEEL
8	SIG008	HANDLE
9	SIG009	CLAMPING KNOB FOR GUIDE
10	SIG010	GUIDE