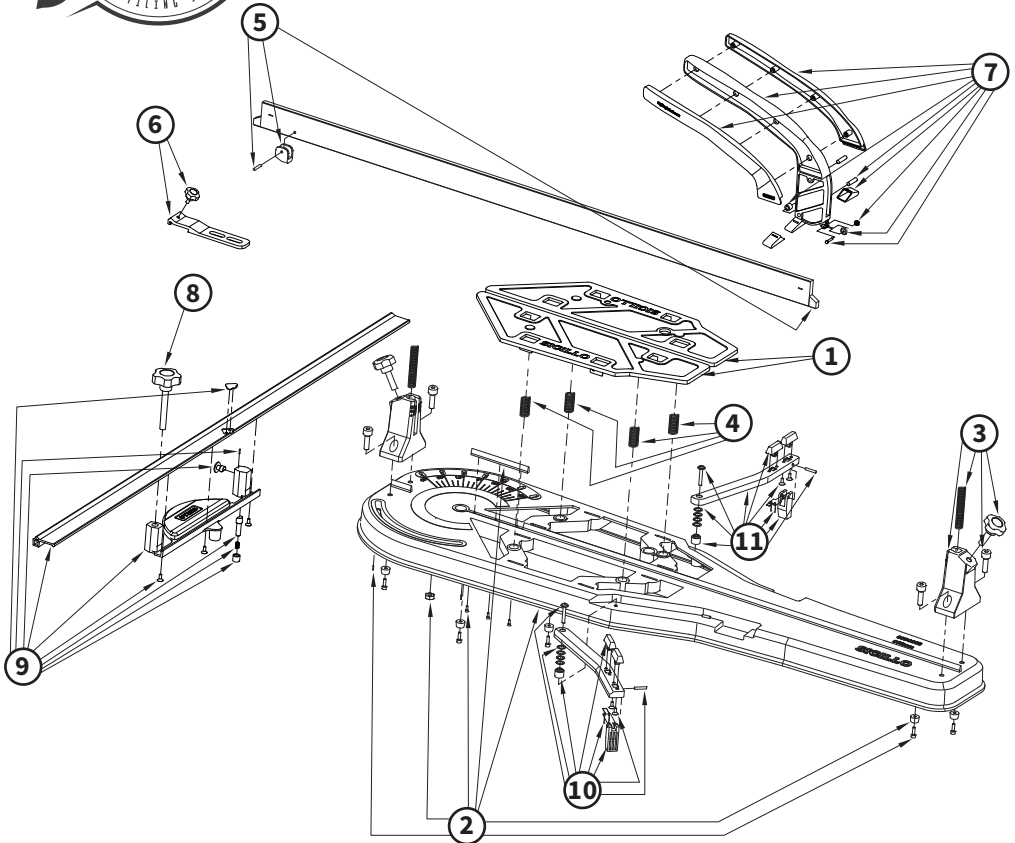




SIG0950

950 Master Tile Cutter



Number	Code	Description
1	SIG011	BASE PLATES
2	SIG027	BASE
3	SIG013	RAIL END
4	SIG004	PRESSURE SPRINGS X 4
5	SIG026	RAIL
6	SIG016	GUIDING RULE BAR
7	SIG017	HANDLE
8	SIG018	CLAMPING KNOB FOR GUIDE
9	SIG029	GUIDE
10	SIG020	LEFT EXTENSION BAR
11	SIG021	RIGHT EXTENSION BAR